

BIJLAGEN



Onderhouds- en gebruikershandleiding

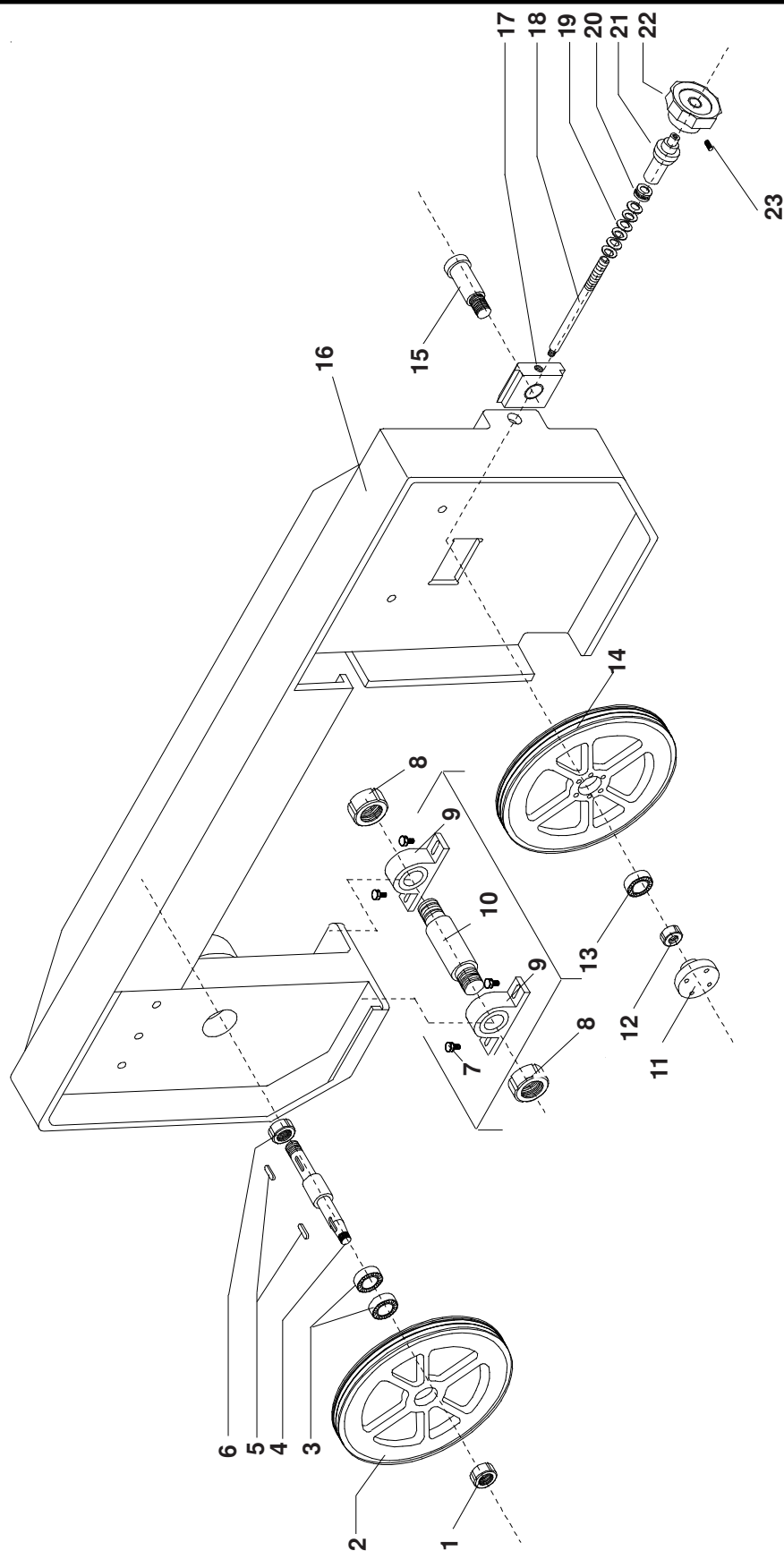
ZAAGBEUGEL SAW BOW

Pos.	CODE	Beschrijving
1	1068	GUK 30 NUT
2	2516	MOTOR FLYWHEEL
3	2325	3208B -2RS BEARING
4	2377	ALLY MAIN SHAFT
5	1701	10X40 KEY
6	1194	GUK 35 NUT
7	-	16X40 ALLEN SCREW
8	-	RM 30 NUT
9	2531	UKP2065 SUPPORT
10	2529	BOW SUPPORTING JOURNAL
11	2326	DRAGGED FLYWHEEL COVER
12	2375	GUK 40 NUT
13	2325	3208B - 2RS BEARING
14	2515	DRAGGED FLYWHEEL
15	2327	DRAGGED FLYWHEEL JOURNAL
16	2511-12-13	SAW BOW
17	2316	BLADE TENSIONER PIN
18	2517	BLADE TENSIONER STUD
19	1245	28 X 14,2 X 1,5 CUP SPRINGS
20	1247	THRUST BEARING 51202
21	2048	BLADE TENSIONER BUSHING
22	2537	VRB 4/200 BLADE TENSIONER FLYWHEEL
23	-	6 X 10 LOCK NUT



Onderhouds- en gebruikershandleiding

ZAAGBEUGEL



Onderhouds- en gebruikershandleiding

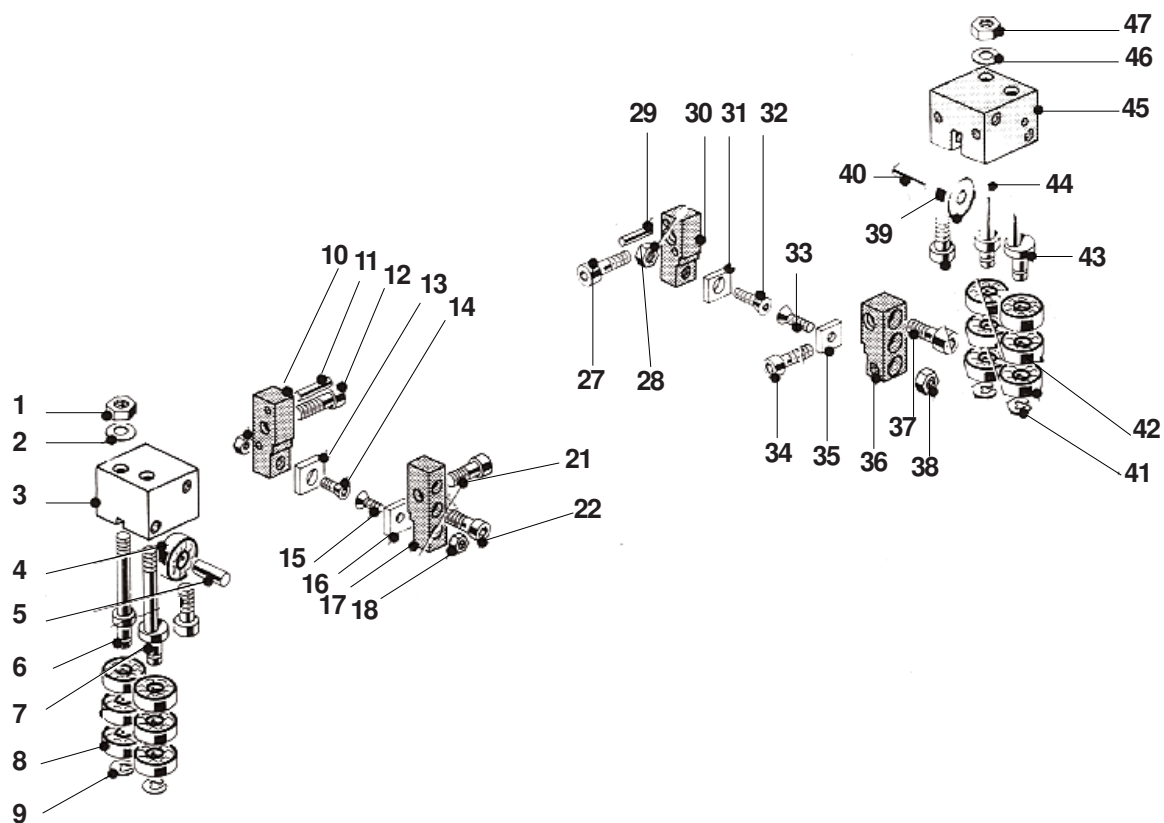
ZAAGBLADGELEIDING BLADE GUIDE

Pos.	CODE	Beschrijving
1	-	MA 10 NUT
2	-	WASHER
3	2300	LEFT BEARING SUPPORTING SLIP GAUGE
4	2219	6001 - RS BEARING
5	2301	Ø 12 X 55 JOURNAL
6	2304	BEARING SUPPORTING JOURNAL (UPRIGHT)
7	2305	BEARING SUPPORTING JOURNAL (OFF-CENTRED)
8	2219	6001 - RS BEARINGS
9	2306	RS 10 BENZING
10	2308	SUPPORTING FOR TOOL SPECIAL STEEL INSERT (A)
11	1048	Ø 5 X 30 TEMPERED JOURNAL
12	-	SCREW
13	2303	25 X 25 TOOL SPECIAL STEEL INSERT
14	-	SCREW
15	-	SCREW
16	2303	25 X 25 TOOL SPECIAL STEEL INSERT
17	2309	SUPPORTING FOR TOOL SPECIAL STEEL INSERT(B)
18	-	NUT
21	-	SCREW
22	-	SCREW
27	-	SCREW
28	-	NUT
29	1048	Ø 5 X 30 TEMPERED JOURNAL
30	2309	SUPPORTING FOR TOOL SPECIAL STEEL INSERT (D)
31	2303	25 X 25 TOOL SPECIAL STEEL INSERT
32	-	SCREW
33	-	SCREW
34	-	SCREW
35	2303	25 X 25 TOOL SPECIAL STEEL INSERT
36	2308	SUPPORTING FOR TOOL SPECIAL STEEL INSERT (C)
37	-	SCREW
38	-	NUT
39	2219	6001 - RS BEARINGS
40	2301	Ø 12 X 55 JOURNAL
41	2306	RS 10 BENZING
42	2219	6001 - RS BEARING
43	2305	BEARING SUPPORTING JOURNAL (OFF-CENTRED)
44	2304	BEARING SUPPORTING JOURNAL (UPRIGHT)
45	2523	RIGHT BEARING SUPPORTING SLIP GAUGE
46	-	WASHER
47	-	MA 10 NUT



Onderhouds- en gebruikershandleiding

ZAAGBLADGELEIDING BLADE GUIDE



Onderhouds- en gebruikershandleiding

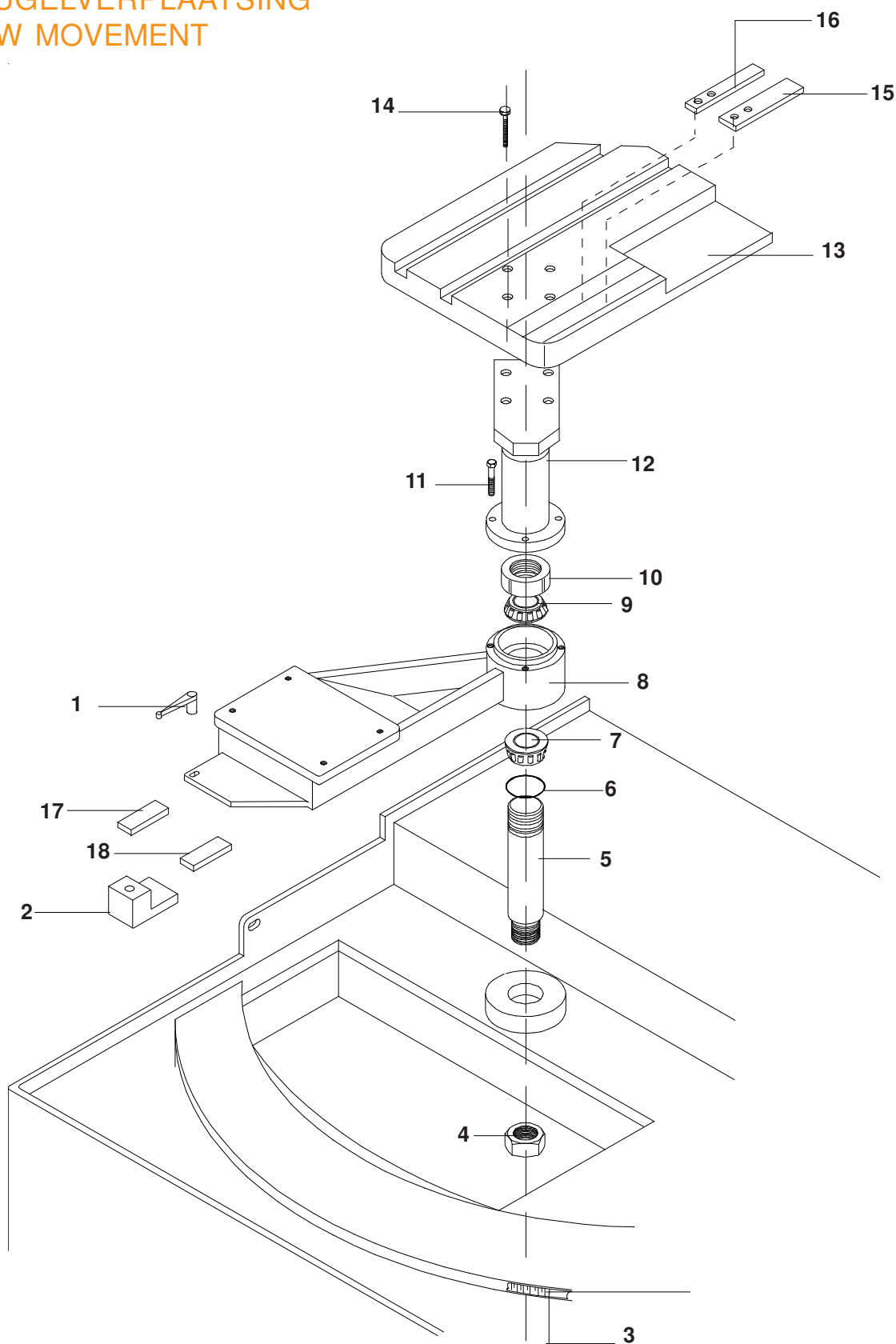
BEUGELVERPLAATSING BOW MOVEMENT

Pos.	CODE	Beschrijving
1	736	RECOVERY HANDLE
2	2536	TRAPEZIUM LOCKING PIN
3	2539	GRADUATED RULE
4	-	30X2 NUT
5	2541	TRAPEZIUM ROTATION JOURNAL
6	630	O RING 167
7	2542	BEARING 32008
8	2540	TRAPEZIUM
9	2542	BEARING 32008
10	2375	GUK 40 NUT
11	-	10X40 ALLEN SCREW
12	2543	BOW ROTATION CASING
13	2548	VICE BASE
14	-	8X16 CYLINDRICAL ALLEN SCREW
15	2549	PLATE
16	2550	PLATE 40
17	2603	MURLUBRIC LEDGES
18	2603	MURLUBRIC LEDGES



Onderhouds- en gebruikershandleiding

BEUGELVERPLAATSING BOW MOVEMENT



Onderhouds- en gebruikershandleiding

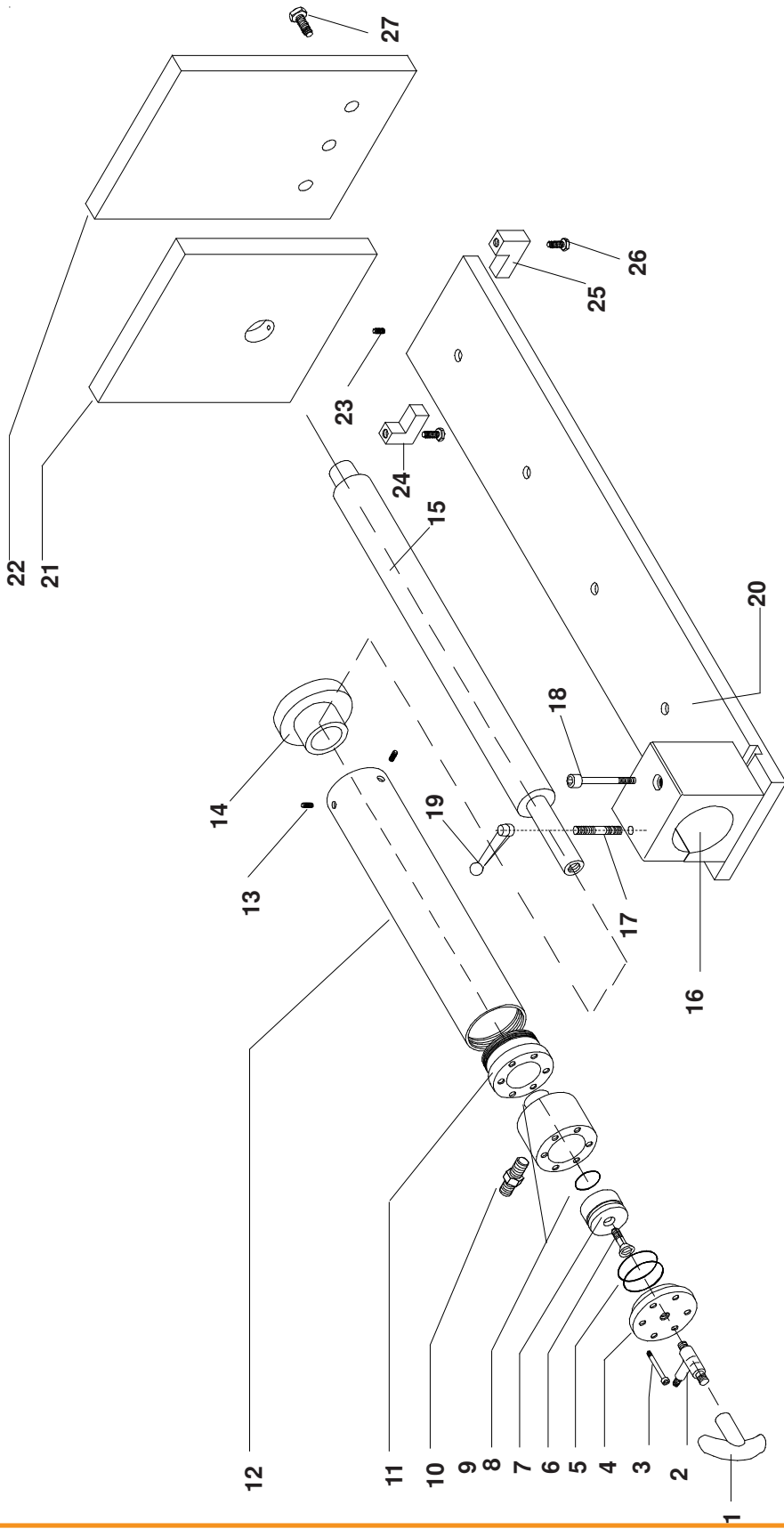
MATERIAALKLEM CLAMPING VICE

Pos.	CODE	Beschrijving
1	1691	L 152 HANDLE
2	1360	M 3 WAY NIPPLES
3	-	6 X 90 CYLINDRICAL ALLEN SCREW
4	1632	CAP
5	690	156 O RING
6	-	CE 12 X 30 COUNTRSUNK CHEESE-HEAD SCREW
7	1631	PISTON HEAD
8	673	4118 O RING
9	1633	CYLINDER
10	1312	1/4 " NIPPLES
11	2510	REAR SPACER
12	2508	MOVING VICE NECK
13	-	6 X 10 LOCK NUT
14	2509	FRONT SPACER
15	2507	MOVING VICE ROD
16	2505	MOVING VICE SUPPORT
17	2506	STUD
18	-	12X100 CYLINDRICAL ALLEN SCREW
19	2554	M 12 RECOVERY HANDLE
20	2502	BEARING PLATE
21	2504	MOVING VICE PLATE
22	2503	FIXED VICE PLATE
23	-	8 X 15 LOCK NUT
24	2525/S	LEFT VICE-GUIDE PIN
25	2525/D	RIGHT VICE-GUIDE PIN
26	-	6 X 35 CYLINDRICAL ALLEN SCREW
27	-	10 X 30 CYLINDRICAL ALLEN SCREW



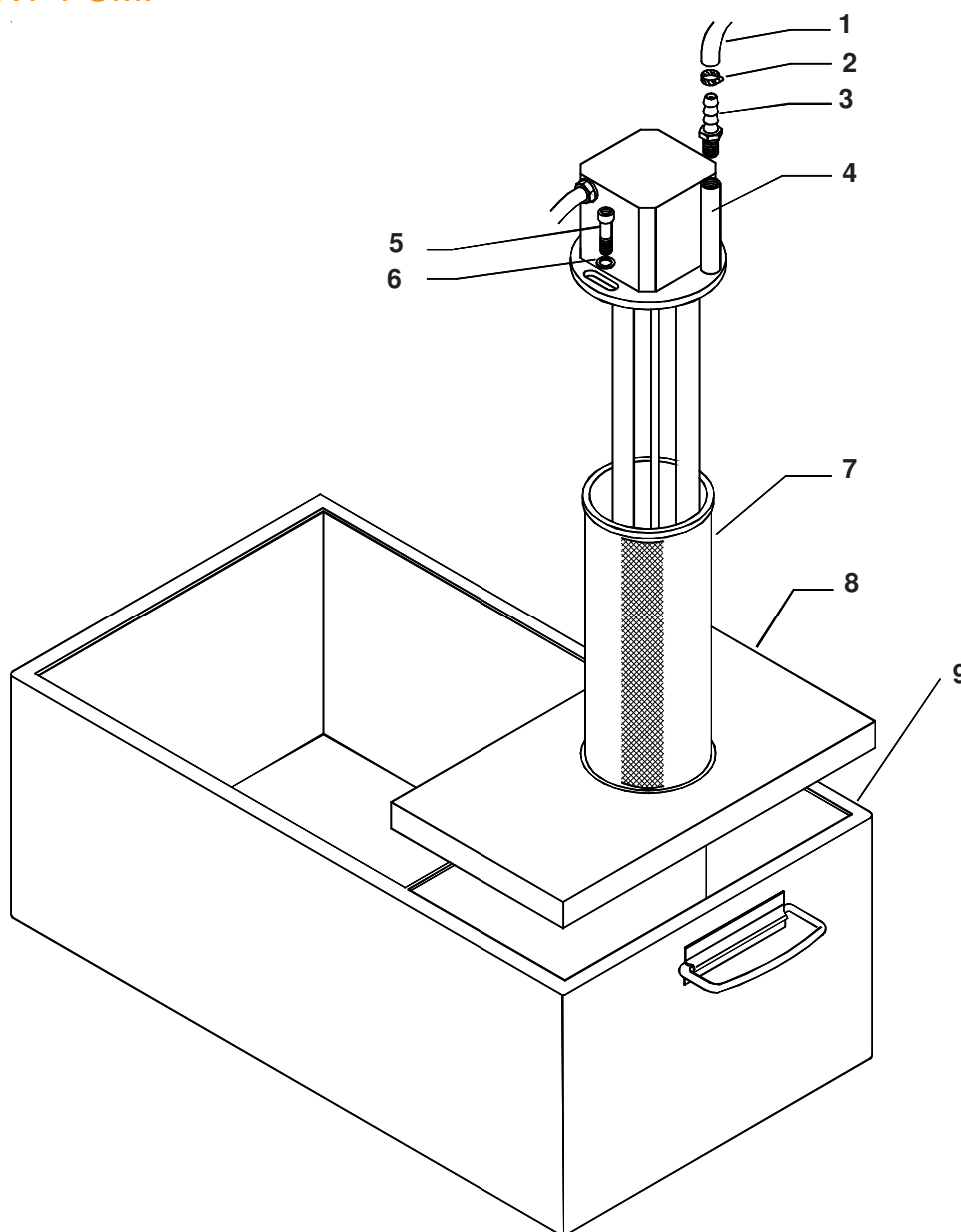
Onderhouds- en gebruikershandleiding

MATERIAALKLEM
CLAMPING VICE



Onderhouds- en gebruikershandleiding

KOELPOMP COOLANT PUMP



Pos.	CODE	Beschrijving
1	-	RETEX HOSE
2	2114	HOSE CLAMP
3	-	RUBBER-HOLDER
4	1369	ELECTRIC PUMP
5	-	6X20 CYLINDRICAL ALLEN SCREW
6	-	167 WASHER
7	1367	FILTER Ø76
8	-	COOLANT TANK COVER
9	-	COOLANT TANK

