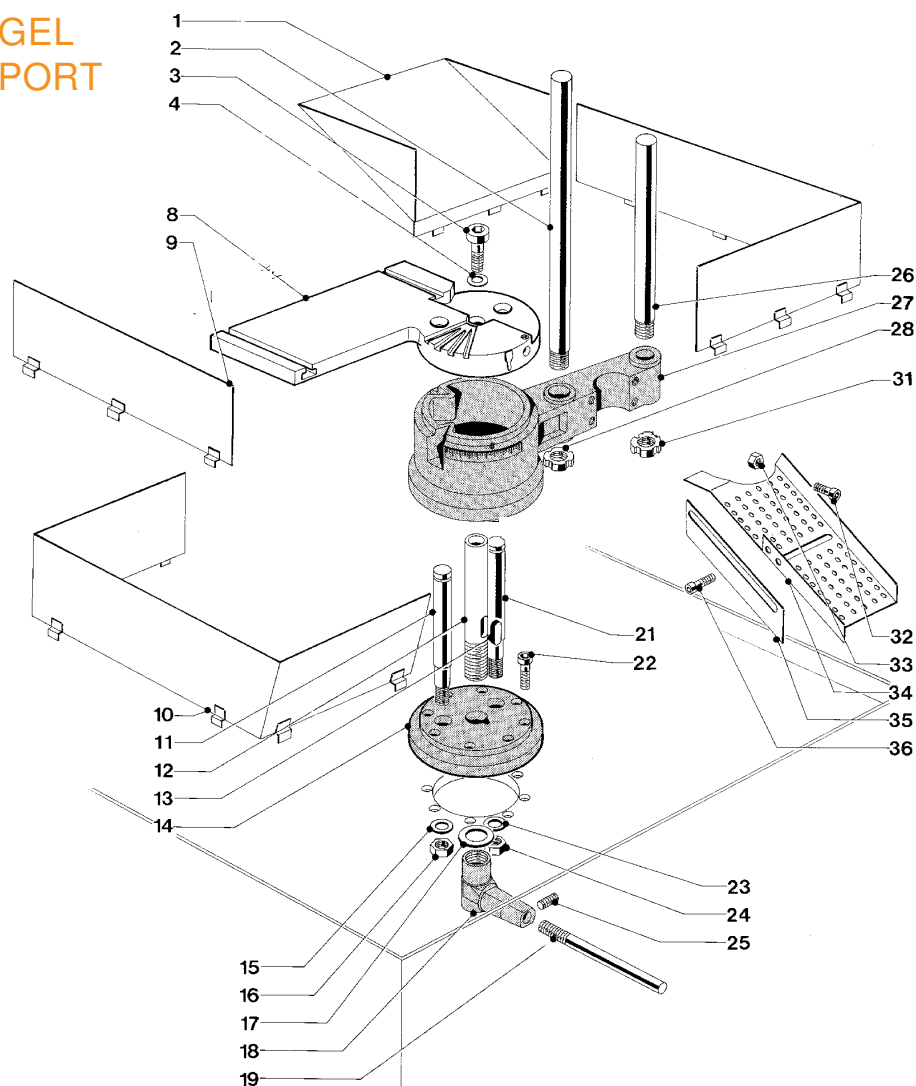


## BIJLAGEN



# Onderhouds- en gebruikershandleiding

## ZAAGBEUGEL BOW SUPPORT



| Pos. | CODE       | Beschrijving           |
|------|------------|------------------------|
| 1    | -          | Protection guard       |
| 2    | 2409       | CR 60 column           |
| 3    | -          | Screw diam. 30         |
| 4    | -          | Washer                 |
| 8    | 2407       | Vice base              |
| 9    | -          | Protection guard       |
| 10   | -          | Protection guard       |
| 11   | 2443       | Adjusting pin          |
| 12   | 1023       | TPN 28 pin             |
| 13   | 545        | 6x6x20 feather key     |
| 14   | 1998       | Disk diam. 300         |
| 15   | -          | Washer                 |
| 16   | -          | Nut                    |
| 17   | 1299       | Washer                 |
| 18   | 1248       | TPN 28 elbow           |
| 19   | 2007 -2448 | Pipe for locking lever |

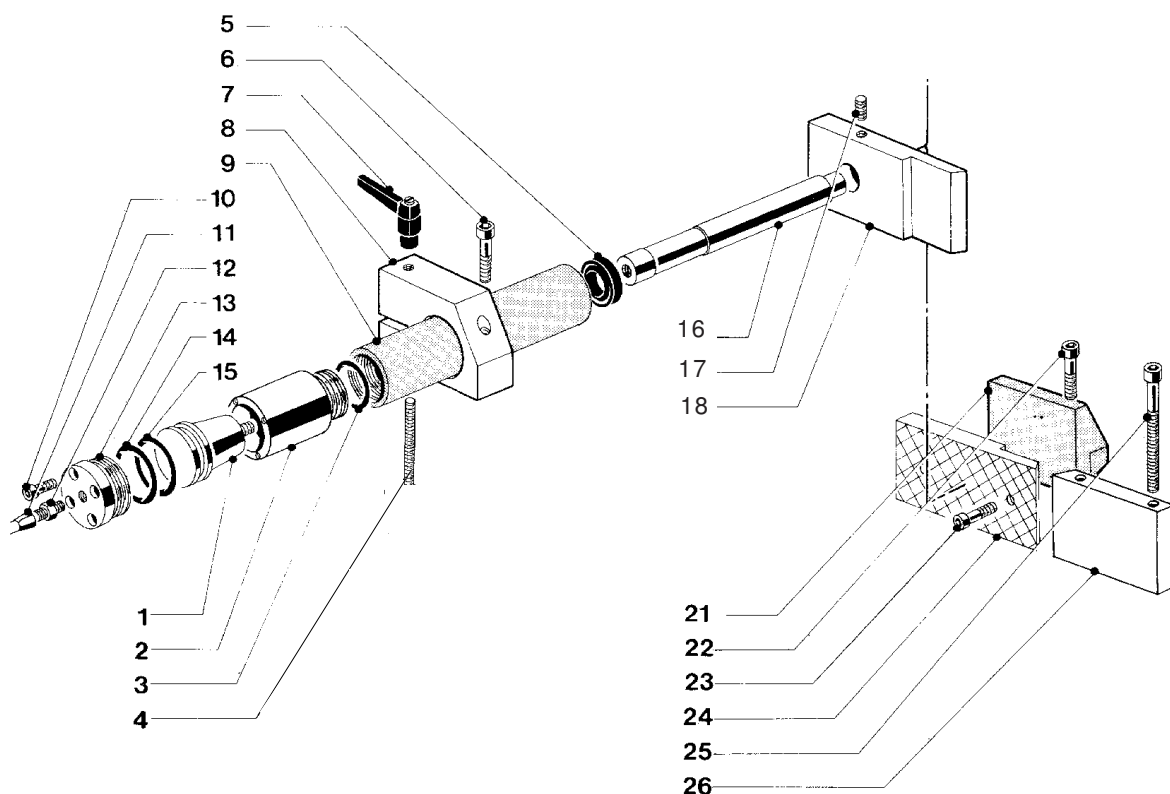
| Pos. | CODE | Beschrijving     |
|------|------|------------------|
| 21   | 2443 | Adjusting pin    |
| 22   | -    | Screw            |
| 23   | -    | Washer           |
| 24   | -    | Nut              |
| 25   | -    | Dowel            |
| 26   | 2410 | CR. 50 Column    |
| 27   | 2405 | Rotating support |
| 28   | 2317 | Guk 50 ring nut  |
| 31   | 1194 | Guk 35 ring nut  |
| 32   | -    | Screw            |
| 33   | -    | Nut              |
| 34   | 2402 | Slide            |
| 35   | -    | Slide            |
| 36   | -    | Screw            |



# Onderhouds- en gebruikershandleiding

## MATERAALKLEM

## CLAMPING VICE (BANDSAWING MACHINE)



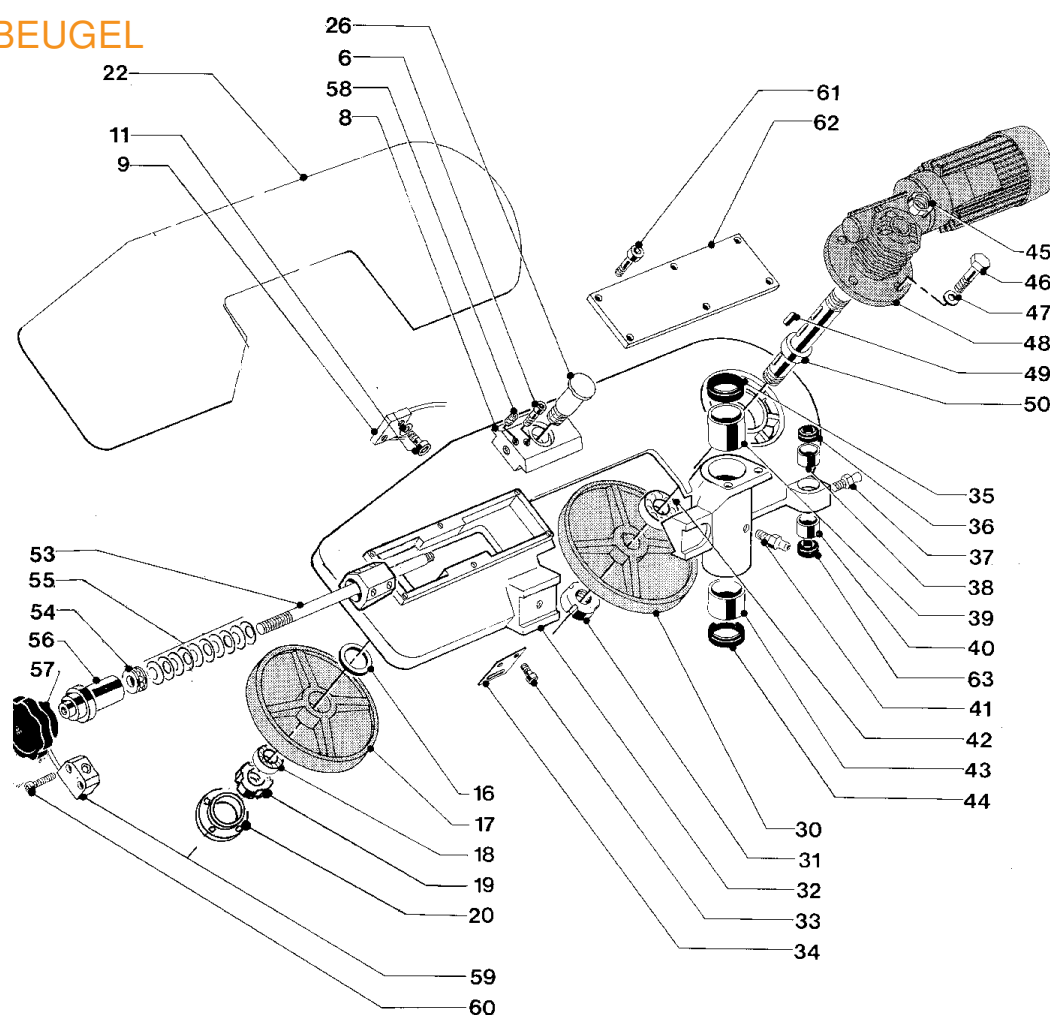
| Pos. | CODE | Beschrijving          |
|------|------|-----------------------|
| 1    | 1674 | Piston head           |
| 2    | 1675 | Cylinder              |
| 3    | 681  | OR 140                |
| 4    | 1669 | Tensioning bar L. 138 |
| 5    | 1200 | WRM 137169            |
| 6    | -    | Screw                 |
| 7    | 2471 | Recovery handle       |
| 8    | 1668 | Sleeve bearing        |
| 9    | 2427 | Vice sleeve           |
| 10   | -    | Screw                 |
| 11   | 1462 | R1 L. 500 pipe        |
| 12   | 1312 | 1/4" nipple           |

| Pos. | CODE | Beschrijving        |
|------|------|---------------------|
| 13   | 1676 | Cap for hyd. vice   |
| 14   | 628  | OR 147              |
| 15   | 628  | OR 147              |
| 16   | 2439 | Bandsawing vice rod |
| 17   | -    | Dowel               |
| 18   | 2433 | Mov. vice plate     |
| 21   | 2091 | Fixed jaw           |
| 22   | -    | Screw               |
| 23   | -    | Screw               |
| 24   | 2432 | Fixed jaw plate     |
| 25   | -    | Screw               |
| 26   | 2431 | Gauge plate         |



# Onderhouds- en gebruikershandleiding

## ZAAGBEUGEL BOW



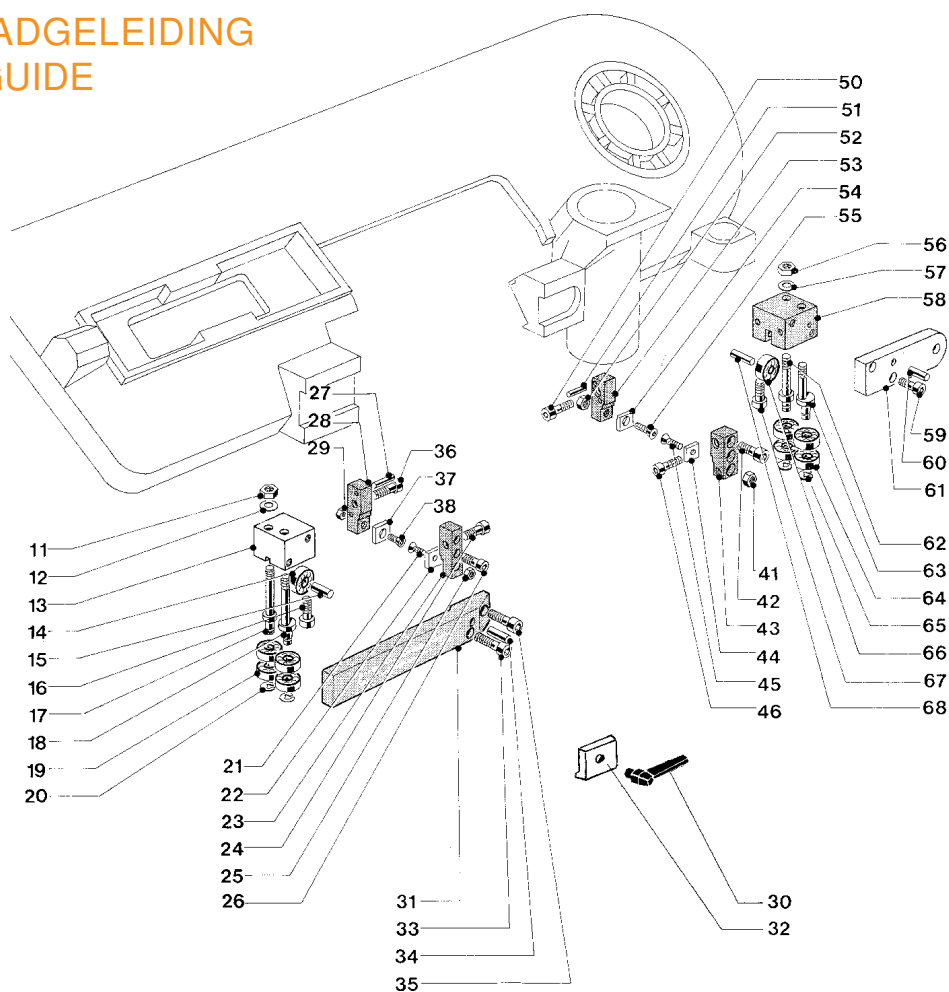
| Pos. | CODE | Beschrijving                  |
|------|------|-------------------------------|
| 6    | -    | Screw                         |
| 8    | 1036 | Blade tension adjusting block |
| 9    | 1075 | Microswitch                   |
| 11   | -    | Screw                         |
| 16   | 2019 | Driven pulley washer          |
| 17   | 2044 | Driven pulley                 |
| 18   | 1604 | 3206 ball bearing             |
| 19   | 1068 | Guk 30 ring nut               |
| 20   | 1609 | Pulley cover                  |
| 22   | 2403 | Bow protection guard          |
| 26   | 2018 | Driven pulley cover           |
| 30   | 2042 | Motor pulley                  |
| 31   | 1194 | Guk 35 ring nut               |
| 32   | 2406 | Bow                           |
| 33   | -    | Screw                         |
| 34   | -    | Strip                         |
| 35   | 1406 | WRM 236275/C                  |
| 36   | 1202 | WRM 196236                    |
| 37   | 641  | 1/8 Lubricator                |
| 38   | 1186 | Bronze bush                   |
| 39   | 1481 | Bronze bush                   |
| 40   | 1186 | Bronze bush                   |

| Pos. | CODE | Beschrijving                |
|------|------|-----------------------------|
| 41   | 641  | 1/8 Lubricator              |
| 42   | 1058 | 6307 -zz ball bearing       |
| 43   | 1481 | Bronze bush                 |
| 44   | 1406 | WRM 236245/C                |
| 45   | 1194 | Guk 35 ring nut             |
| 46   | -    | Screw                       |
| 47   | -    | Washer                      |
| 48   | 1528 | Motoreducer                 |
| 49   | 1535 | 10 x 8 x 60 feather key     |
| 50   | 1662 | Motor shaft x STM           |
| 53   | 2442 | Pulley tensioning bar       |
| 54   | 1247 | 51202 ball bearing          |
| 55   | 1245 | Springs                     |
| 56   | 2048 | Blade tension adjuster bush |
| 57   | 1244 | VL1 40 handwheel            |
| 58   | -    | Dowel                       |
| 59   | 2199 | PZ F4-4101/4 microswitch    |
| 60   | -    | Screw                       |
| 62   | 2404 | Pulley guard                |



# Onderhouds- en gebruikershandleiding

## ZAAGBLADGELEIDING BLADE GUIDE



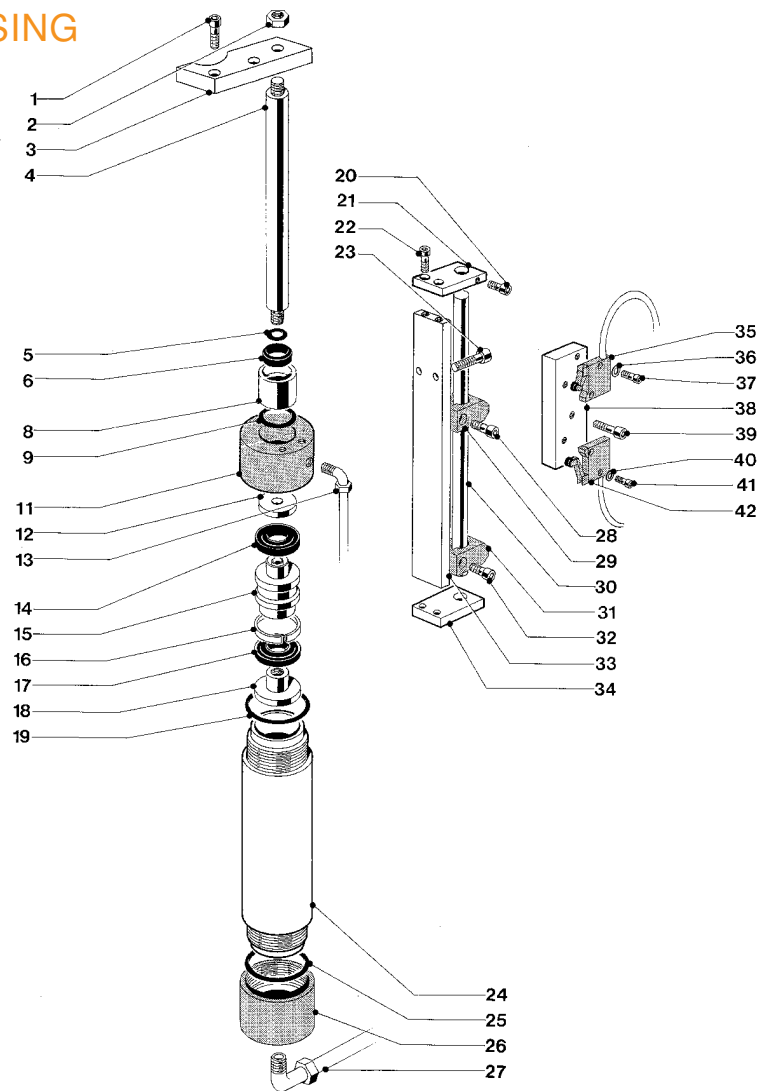
| Pos. | CODE | Beschrijving                   |
|------|------|--------------------------------|
| 11   | -    | Nut                            |
| 12   | -    | Washer                         |
| 13   | 1007 | Left block                     |
| 14   | 1055 | 608 - 2RS ball bearing         |
| 15   | 764  | 8 x 40 pin                     |
| 16   | -    | Screw                          |
| 17   | 1082 | Pin for right ball bearing     |
| 18   | 1083 | Pin for eccentric ball bearing |
| 19   | 1055 | 608 - 2RS ball bearing         |
| 20   | 1101 | RS 6                           |
| 21   | -    | Screw                          |
| 22   | 1047 | 19 x 19 insert                 |
| 23   | 1150 | Insert bearing                 |
| 24   | -    | Screw                          |
| 25   | -    | Nut                            |
| 26   | -    | Screw                          |
| 27   | 1048 | 5 x 30 T. pin                  |
| 28   | 1149 | Insert bearing                 |
| 29   | -    | Nut                            |
| 30   | 736  | Ricoverly handle               |
| 31   | 2011 | Mov. bow guide                 |
| 32   | 2426 | Bow guide locking plate        |
| 33   | -    | Screw                          |
| 34   | 1084 | 6 x 25 pin                     |
| 35   | -    | Screw                          |
| 36   | -    | Screw                          |
| 37   | 1047 | 19 x 19 insert                 |
| 38   | -    | Screw                          |
| 41   | -    | Nut                            |

| Pos. | CODE | Beschrijving                   |
|------|------|--------------------------------|
| 42   | -    | Screw                          |
| 43   | 1149 | Insert bearing                 |
| 44   | 1047 | 19 x 19 insert                 |
| 45   | -    | Screw                          |
| 46   | -    | Screw                          |
| 50   | -    | Screw                          |
| 51   | 1048 | 5 x 30 T. pin                  |
| 52   | -    | Nut                            |
| 53   | 1150 | Insert bearing                 |
| 54   | 1047 | 19 x 19 insert                 |
| 55   | -    | Screw                          |
| 56   | -    | Nut                            |
| 57   | -    | Washer                         |
| 58   | 1007 | Right block                    |
| 59   | -    | Screw                          |
| 60   | 1084 | 6 x 25 pin                     |
| 61   | 1128 | Fixed bow guide                |
| 62   | 1082 | Pin for right ball bearing     |
| 63   | 1083 | Pin for eccentric ball bearing |
| 64   | 1055 | 608 - 2RS bearing              |
| 65   | 1101 | RS 6                           |
| 66   | 1055 | 608 - 2RS ball bearing         |
| 67   | -    | Screw                          |
| 68   | 764  | 8 x 40 Pin                     |



# Onderhouds- en gebruikershandleiding

## BEUGELVERPLAATSING BOW MOVEMENT



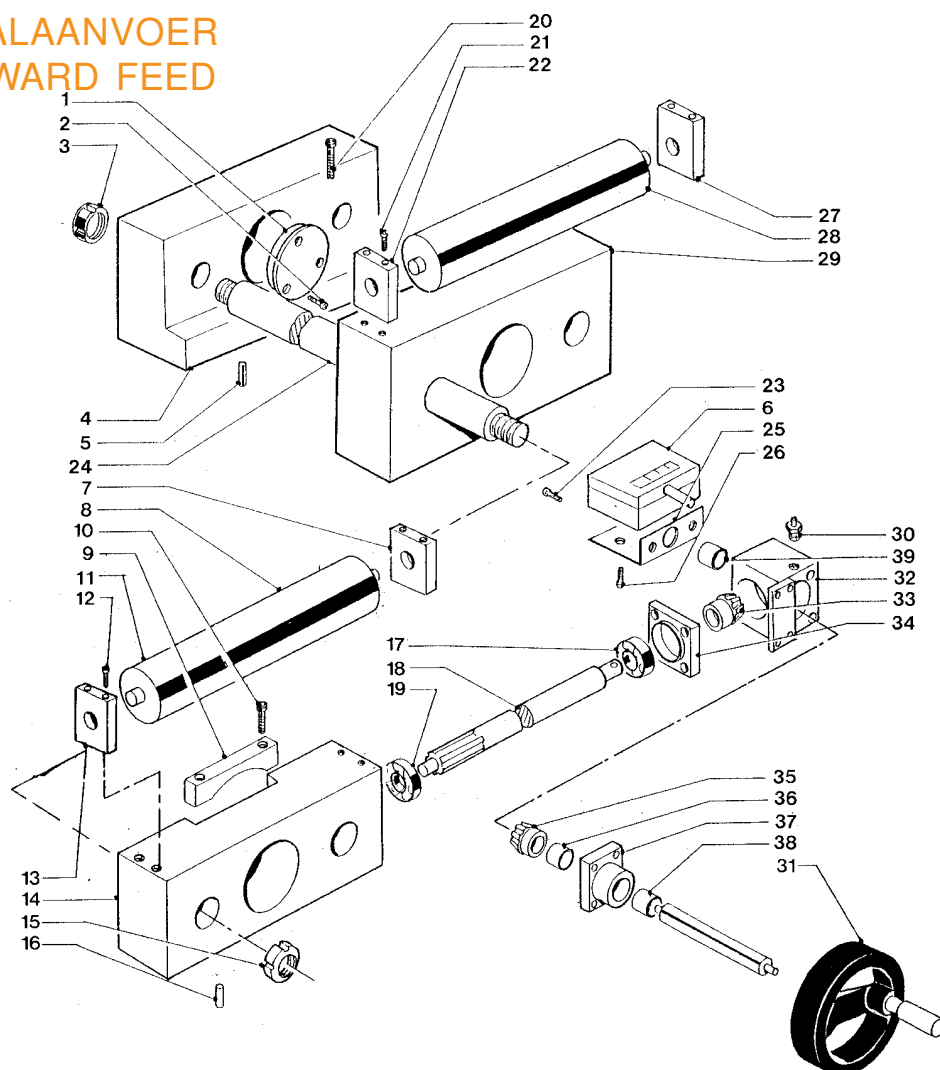
| Pos. | CODE | Beschrijving         |
|------|------|----------------------|
| 1    | -    | Screw                |
| 2    | 1297 | 18 MB -14 Nut        |
| 3    | 1495 | Bow cylinder bracket |
| 4    | 2412 | CD - rod             |
| 5    | 620  | OR 116               |
| 6    | 637  | WRM 098129           |
| 8    | 1228 | Bronze bush          |
| 9    | 625  | OR 133               |
| 11   | 1229 | CD - cap             |
| 12   | 1233 | CD - washer          |
| 13   | 1300 | 1/4" elbow           |
| 14   | 614  | DS 196137            |
| 15   | 1235 | CD - head            |
| 16   | 1291 | EDWR - 50            |
| 17   | 614  | DS 196137            |
| 18   | 1231 | CD - ring nut        |
| 19   | 690  | OR 156               |
| 20   | -    | Screw                |
| 21   | 2320 | DCM - cap            |
| 22   | -    | Screw                |

| Pos. | CODE | Beschrijving             |
|------|------|--------------------------|
| 23   | -    | Screw                    |
| 24   | 2411 | CD - Cylinder            |
| 25   | 690  | OR 156                   |
| 26   | 1484 | CD - cap elbow           |
| 27   | 1300 | 1/4" elbow               |
| 28   | -    | Screw                    |
| 29   | 1170 | Pointer                  |
| 30   | 2319 | DCM - rod                |
| 31   | 1170 | Pointer                  |
| 32   | -    | Screw                    |
| 33   | 2310 | DCM - plate              |
| 34   | 2321 | DCM - bearing            |
| 35   | 928  | M Ø 81/R microswitch     |
| 36   | -    | Washer                   |
| 37   | -    | Screw                    |
| 38   | 2413 | CD - microswitch bearing |
| 39   | -    | Screw                    |
| 40   | -    | Washer                   |
| 41   | -    | Screw                    |
| 42   | 928  | M Ø 81/R microswitch     |



# Onderhouds- en gebruikershandleiding

## MATERIAALAANVOER BAR FORWARD FEED



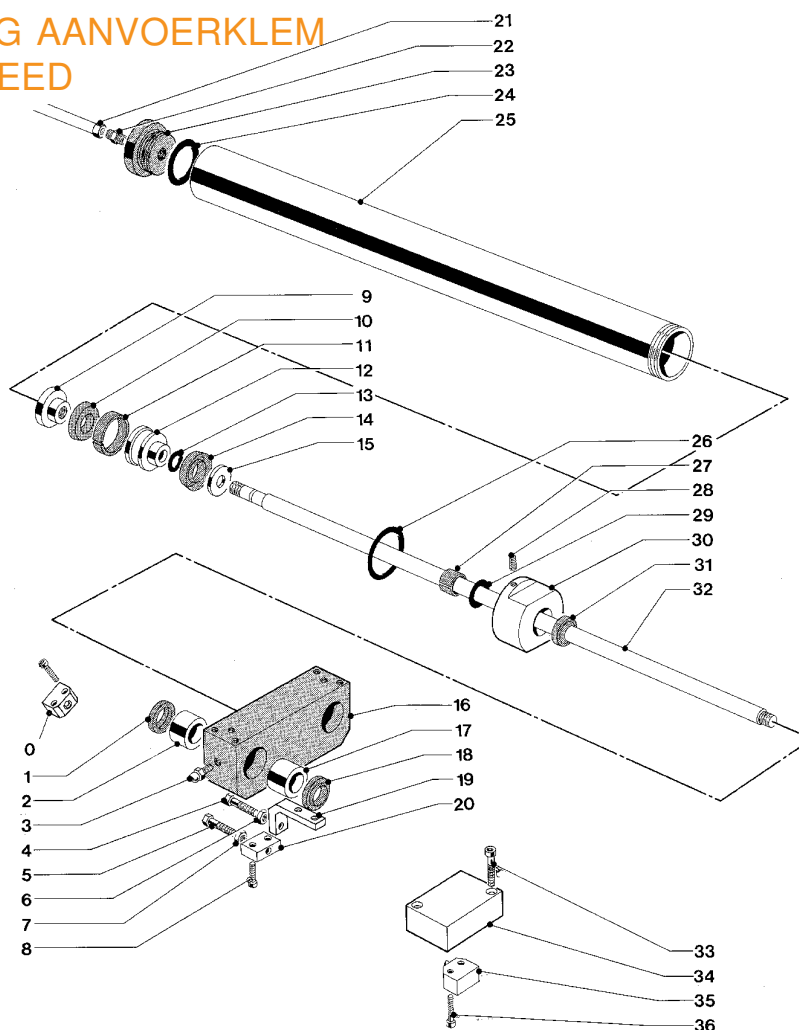
| Pos. | CODE | Beschrijving         |
|------|------|----------------------|
| 1    | 1227 | Stop pin             |
| 2    | -    | Screw                |
| 3    | 1299 | Guk 25 ring nut      |
| 4    | 2414 | Feeder front bearing |
| 5    | 1048 | 5 x 30 T. pin        |
| 6    | 1293 | Right metercounter   |
| 7    | 2420 | Roller bearing       |
| 8    | 2422 | Roller               |
| 9    | 2416 | Locking bracket      |
| 10   | -    | Screw                |
| 11   | 2421 | Pin for roller       |
| 12   | -    | Screw                |
| 13   | 2420 | Roller support       |
| 14   | 2415 | Feeder rear support  |
| 15   | 1299 | Guk 25 ring nut      |
| 16   | 765  | 8 x 30 ring nut      |
| 17   | 1296 | 6202 ball bearing    |
| 18   | 2417 | CC - pinion          |
| 19   | 1296 | 6202 roller bearing  |
| 20   | -    | Screw                |

| Pos. | CODE | Beschrijving          |
|------|------|-----------------------|
| 21   | -    | Screw                 |
| 22   | 2420 | Roller support        |
| 23   | -    | Screw                 |
| 24   | 1505 | Slide guide           |
| 25   | 2271 | Metercounter bracket  |
| 26   | -    | Screw                 |
| 27   | 2420 | Roller support        |
| 28   | 2422 | Roller                |
| 29   | 2419 | Mobile roller support |
| 30   | 684  | Oiler                 |
| 31   | 1350 | VRTP- 125 handwheel   |
| 32   | 2154 | CC - box              |
| 33   | 2157 | Z 30 gear             |
| 34   | 2152 | CC - flange           |
| 35   | 2157 | Z 30 gear             |
| 36   | 2378 | Glicodur PG 20-23-15  |
| 37   | 2153 | CC - bearing          |
| 38   | 2378 | Glicodur PG 20-23-15  |
| 39   | 2379 | Glicodur PG 14-16-10  |



# Onderhouds- en gebruikershandleiding

## AANDRIJVING AANVOERKLEM CYLINDER FEED



| Pos. | CODE | Beschrijving          |
|------|------|-----------------------|
| 0    | 931  | M081/CTK microswitch  |
| 1    | 1301 | WRM 157196/PC         |
| 2    | 1455 | Bronze bush           |
| 3    | -    | 1/8 lubricator        |
| 4    | -    | Screw                 |
| 5    | -    | Screw                 |
| 6    | -    | Nut                   |
| 7    | -    | Nut                   |
| 8    | -    | Screw                 |
| 9    | 1231 | CD - ring nut         |
| 10   | 614  | DS 196137             |
| 11   | 1291 | EDWR - 50             |
| 12   | 1235 | CD - Piston head      |
| 13   | 620  | OR 116                |
| 14   | 614  | DS 196137             |
| 15   | 1233 | CD - washer           |
| 16   | 2423 | Pointer               |
| 17   | 1455 | Bronze bush           |
| 18   | 1201 | WRM 157196/PC         |
| 19   | 1508 | Bracket for F/A micro |

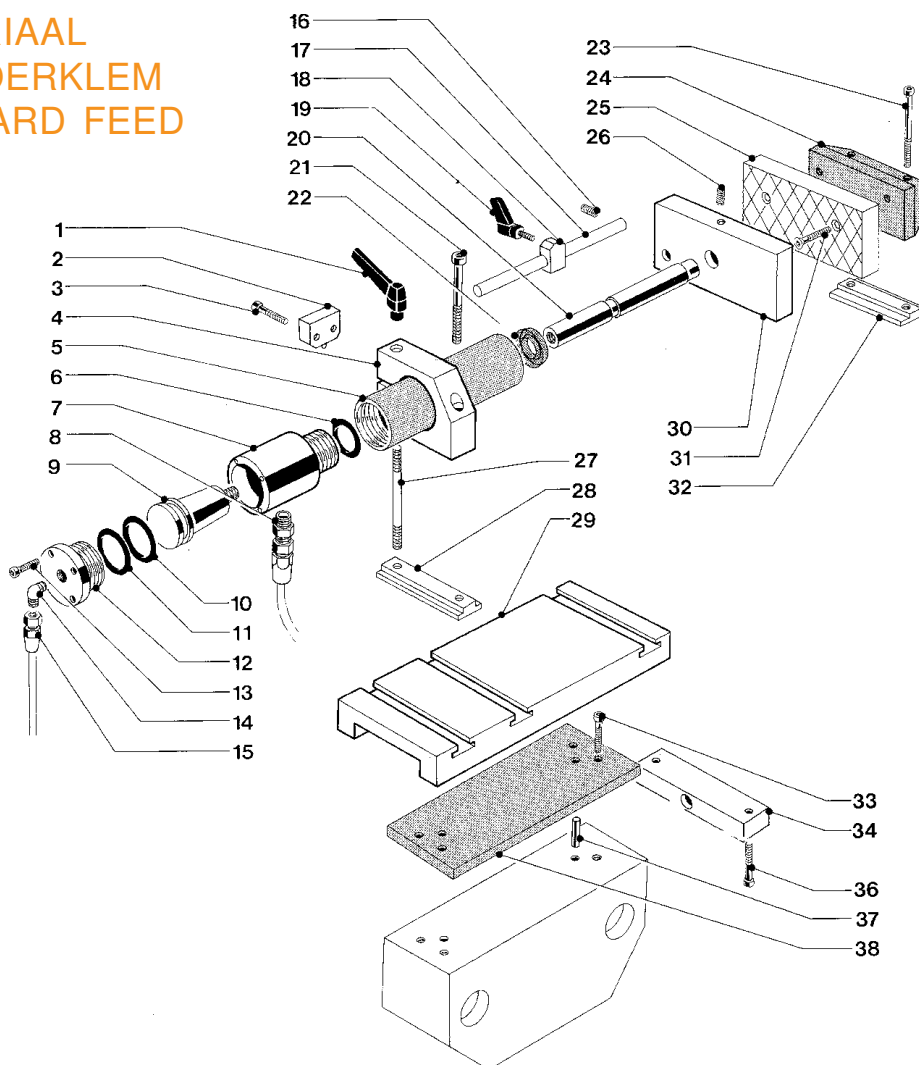
| Pos. | CODE | Beschrijving              |
|------|------|---------------------------|
| 20   | 1515 | Block for F/R microswitch |
| 21   | 1353 | R1 L. 2200 pipe           |
| 22   | 1300 | 1/4" elbow                |
| 23   | 1226 | CC - cap                  |
| 24   | 628  | OR 147                    |
| 25   | 1223 | CC - cylinder             |
| 26   | 629  | OR 159                    |
| 27   | 1290 | IDWR - 25                 |
| 28   | -    | Dowel                     |
| 29   | 625  | OR 133                    |
| 30   | 1224 | CC - cap                  |
| 31   | 637  | WRM 098129                |
| 32   | 1220 | CC - rod                  |
| 33   | -    | Screw                     |
| 34   | 1270 | Box for microswitch       |
| 35   | 929  | M 081/CT microswitch      |
| 36   | -    | Screw                     |





# Onderhouds- en gebruikershandleiding

## MATERIAAL AANVOERKLEM FORWARD FEED VICE

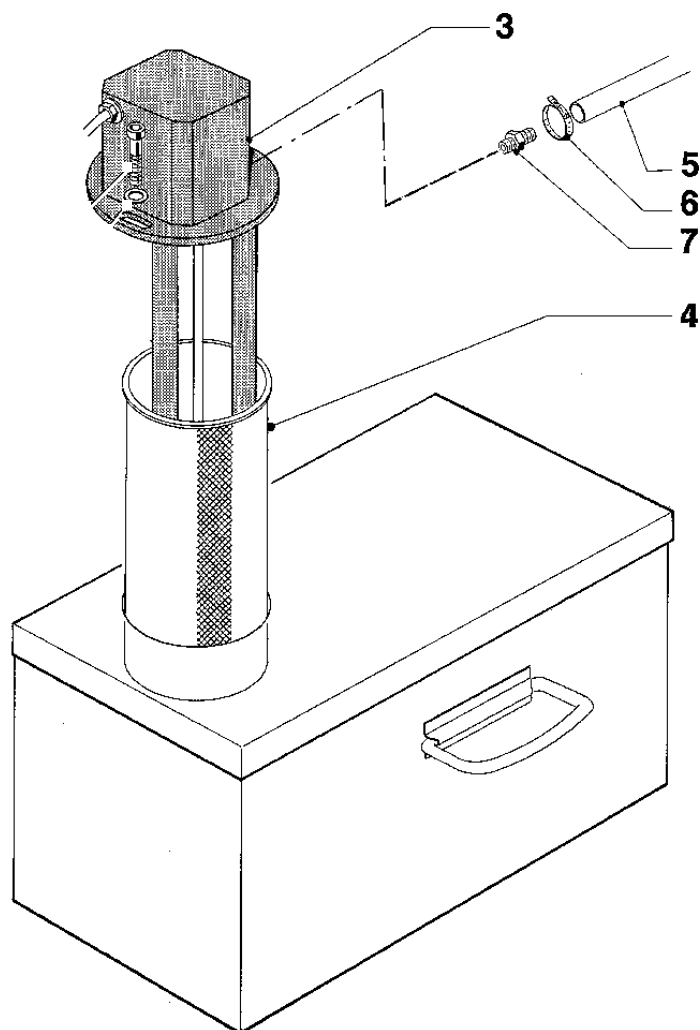


| Pos. | CODE | Beschrijving          | Pos. | CODE | Beschrijving        |
|------|------|-----------------------|------|------|---------------------|
| 1    | 2471 | Handle                | 21   | -    | Screw               |
| 2    | 928  | M081/R microswitch    | 22   | 1200 | WRM 137169          |
| 3    | -    | Screw                 | 23   | -    | Screw               |
| 4    | 1668 | Sleeve bearing        | 24   | 1690 | Slide fixed vice    |
| 5    | 2428 | Side vice sleeve      | 25   | 2434 | Slide fixed plate   |
| 6    | 681  | OR 140                | 26   | -    | Dowel               |
| 7    | 1675 | Vice cylinder         | 27   | 1669 | MA 10 tension bar   |
| 8    | 1312 | 1/4" nipple           | 28   | 1671 | T L. 105 block      |
| 9    | 1674 | Vice piston head      | 29   | 2425 | Slide               |
| 10   | 628  | OR 147                | 30   | 2435 | Mov. vice plate     |
| 11   | 628  | OR 147                | 31   | -    | Screw               |
| 12   | 1676 | Cap for hyd. vice     | 32   | 1281 | T L. 85 block       |
| 13   | -    | Screw                 | 33   | -    | Screw               |
| 14   | 1300 | 1/4" Elbow            | 34   | 1263 | Slide plate         |
| 15   | 1463 | R1 L. 840 pipe        | 36   | -    | Screw               |
| 16   | -    | Dowel                 | 37   | 765  | 8 x 30 pin          |
| 17   | 2440 | rod - F/B microswitch | 38   | 2424 | Slide/pointer plate |
| 18   | 1170 | Pointer               |      |      |                     |
| 19   | 1363 | Recovery handle       |      |      |                     |
| 20   | 2430 | Bandsawn. vice rod    |      |      |                     |



# Onderhouds- en gebruikershandleiding

## KOELPOMP COOLANT PUMP



| Pos. | CODE | Beschrijving       |
|------|------|--------------------|
| 3    | 1298 | Electric pump      |
| 4    | 1366 | Filter             |
| 5    | 1337 | Retex hose13/19    |
| 6    | 1064 | Hose clamp Serflex |
| 7    | 1087 | Rubber-holder      |

