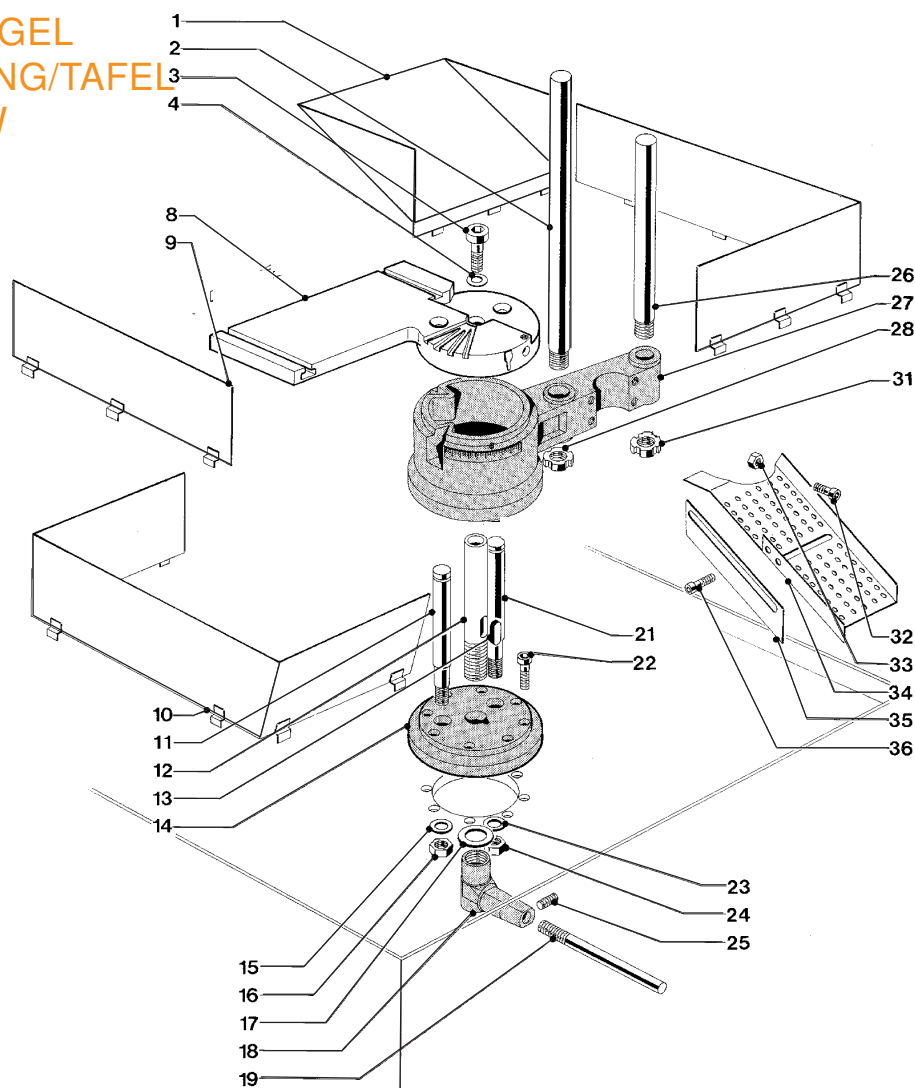


## BIJLAGEN



# Onderhouds- en gebruikershandleiding

ZAAGBEUGEL  
OPHANGING/TAFEL  
SAW-BOW  
SUPPORT



Pos.	Code	Beschrijving
1	-	Housing
2	2409	Column CR 60
3	-	Screw
4	-	Washer
8	2407	Vice basis
9	-	Housing
10	-	Housing
11	2443	Adjustment pin
12	1023	Pin TPN 28
13	545	Feather key 6x6x20 mm
14	1998	Disk, 300 mm dia.
15	-	Washer
16	-	Nut
17	1299	Washer
18	1248	Elbow TPN 28
19	2007 -2448	Pipe for lock lever

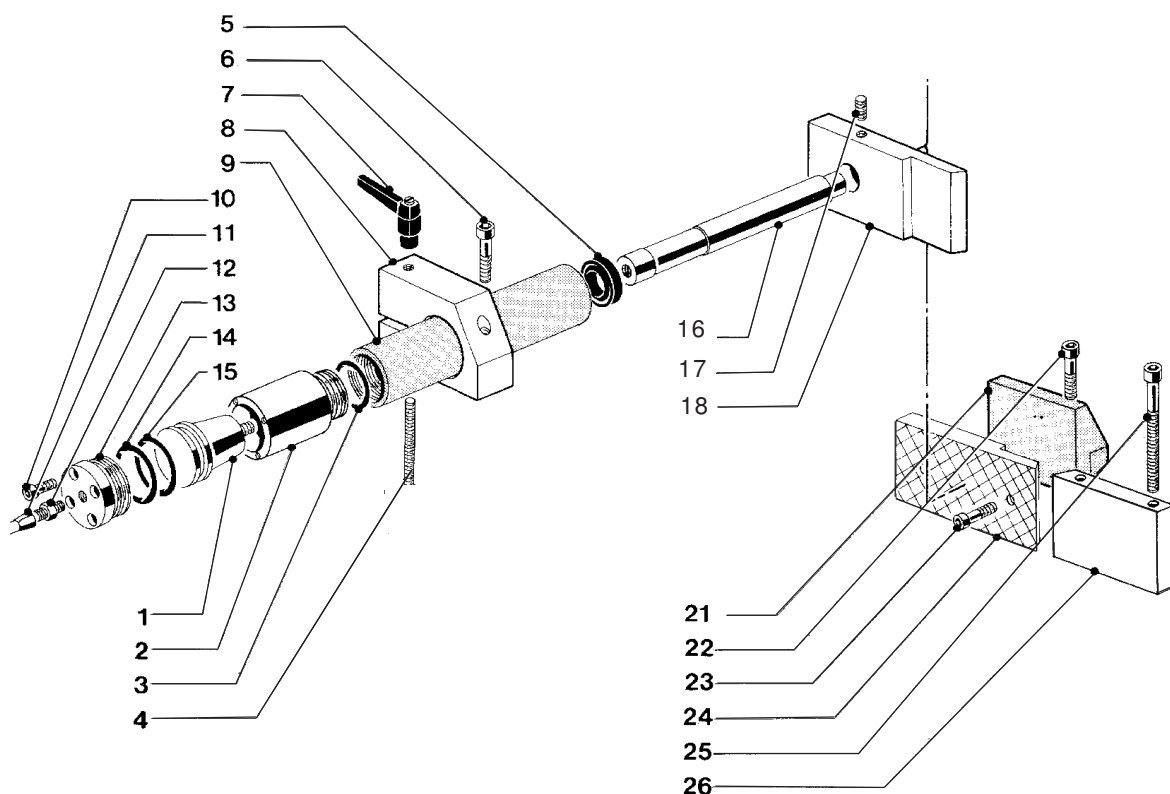
Pos.	Code	Beschrijving
21	2443	Adjustment pin
22	-	Screw
23	-	Washer
24	-	Nut
25	-	Grub screw
26	2410	Column CR. 50
27	2405	Rotary support
28	2317	Lock-nut GUK 50
31	1194	Lock-nut GUK 35
32	-	Screw
33	-	Nut
34	2402	Chute
35	-	Chute
36	-	Screw



# Onderhouds- en gebruikershandleiding

## MATERIAALKLEM

## WORKPIECE LOCKING VICE (SAWING MACHINE)



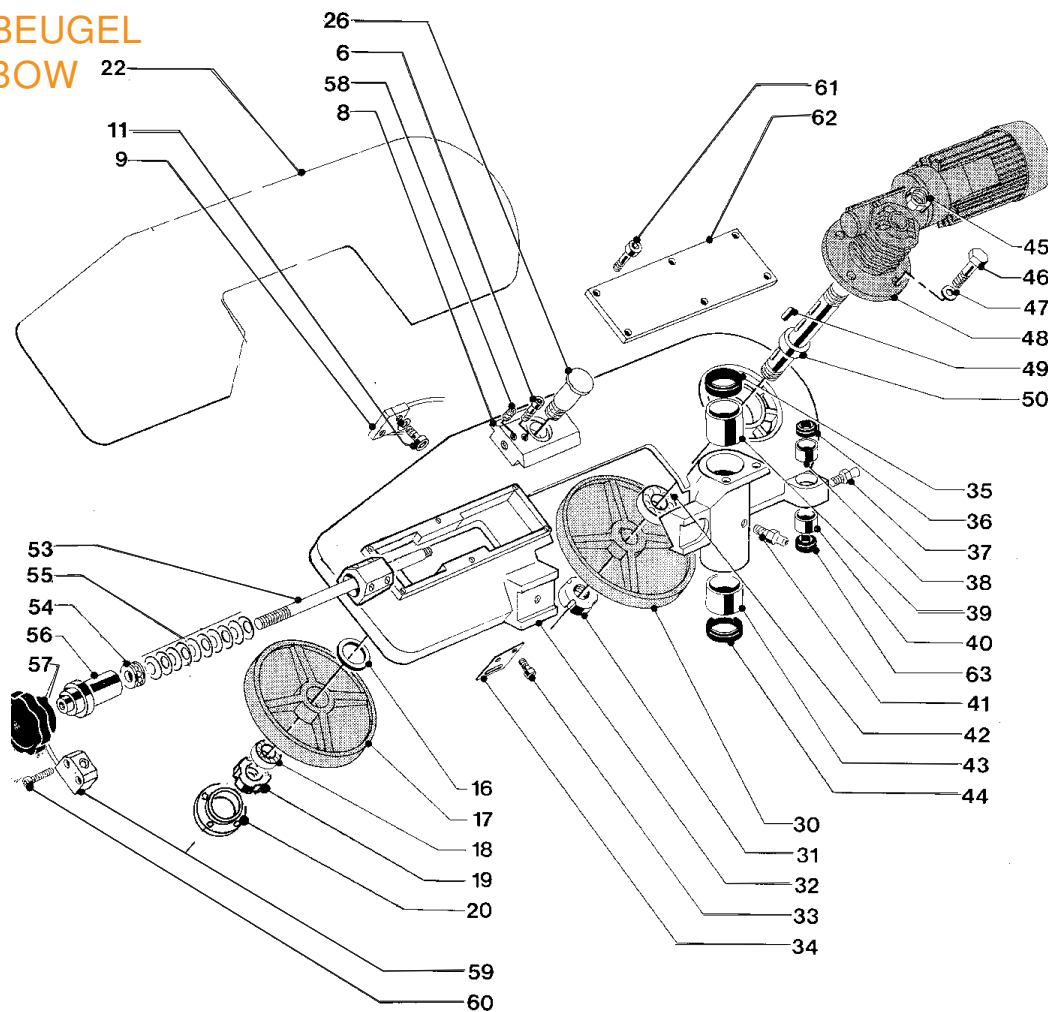
Pos.	Code	Beschrijving
1	1674	Piston head
2	1675	Cylinder
3	681	O-ring 140
4	1669	Tie-rod L. 138 mm
5	1200	Scraper WRM 137169
6	-	Screw
7	2471	Ratchet handle
8	1668	Quill support
9	2427	Quill for clamping vice
10	-	Screw
11	1462	Pipe R1 L. 500
12	1312	Nipple 1/4"
13	1676	Plug for hydr. device
14	628	O-ring 147
15	628	O-ring 147

Pos.	Code	Beschrijving
16	2439	Rod for clamping vice
17	-	Grub-screw
18	2433	Plate for mobile vice
21	2091	Fixed jaw
22	-	Screw
23	-	Screw
24	2432	Plate for fixed jaw
25	-	Screw
26	2431	Locator plate



# Onderhouds- en gebruikershandleiding

## ZAAGBEUGEL SAW-BOW



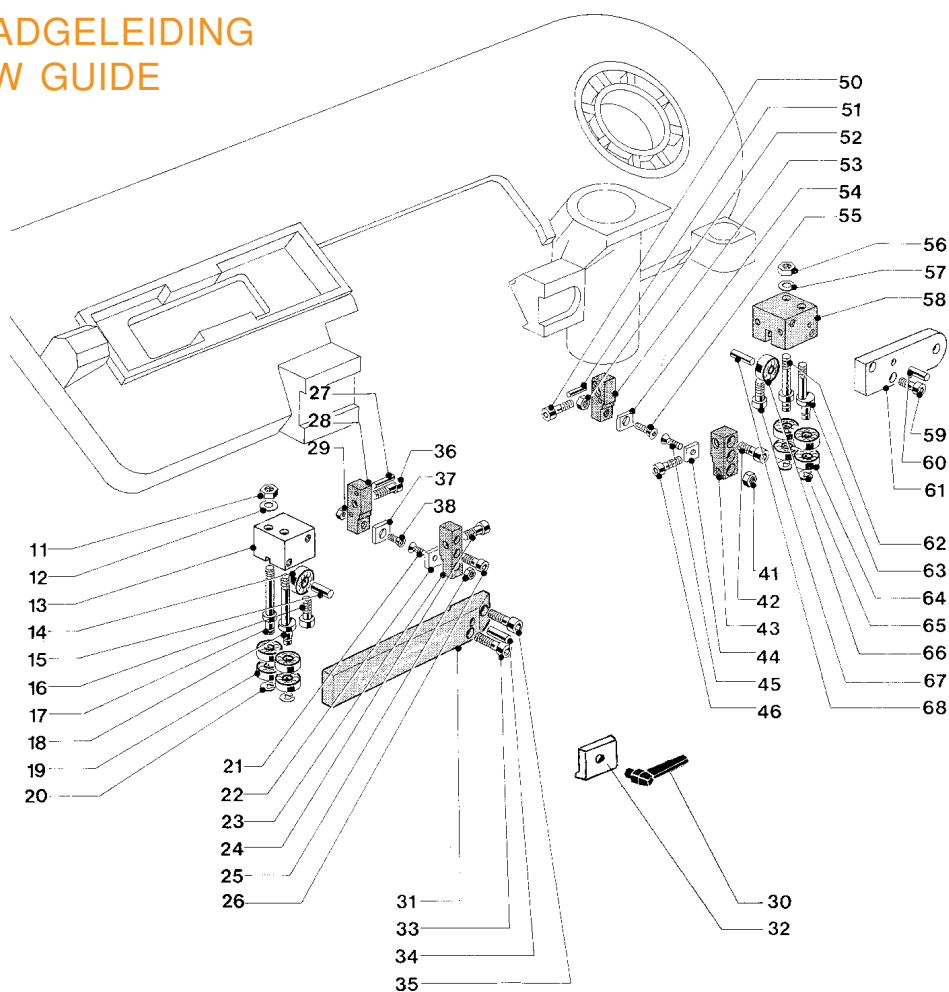
Pos.	Code	Beschrijving
6	-	Screw
8	1036	Blade stretcher dog
9	1075	Microswitch RS2-10-10
11	-	Screw
16	2019	Washer for driven pulley
17	2041	Driven pulley
18	1604	Ball bearing 3206
19	1068	Lock-nut GUK 30
20	1609	Cover for pulley
22	2403	Housing for saw-bow
26	2018	Pin for driven pulley
30	2042	Motor pulley
31	1194	Lock-nut GUK 35
32	2406	Saw-bow
33	-	Screw
34	-	Small plate
35	1406	Scraper WRM 236275/C
36	1202	Scraper WRM 196236
37	641	Grease nipple 1/8"
38	1186	Bronze bushing
39	1481	Bronze bushing
40	1186	Bronze bushing

Pos.	Code	Beschrijving
41	641	Grease nipple 1/8
42	1058	Ball bearing 6307-ZZ
43	1481	Bronze bushing
44	1406	Scraper WRM 236245/C
45	1194	Lock-nut GUK 35
46	-	Screw
47	-	Washer
48	2110+1798	Geared motor
49	1535	Feather key 10 x 8 x 60
50	1662	Motor shaft
53	2442	Tie-rod for pulley
54	1247	Ball bearing 51202
55	1245	Cup wheel
56	2048	Blade-stretcher bushing
57	1244	Handwheel VL 140
58	-	Grub-screw
59	2707	Microswitch PZ-FA-4101-P2
60	-	Screw
62	2404	Safeguard for pulley



# Onderhouds- en gebruikershandleiding

## ZAAGBLADGELEIDING SAW-BOW GUIDE



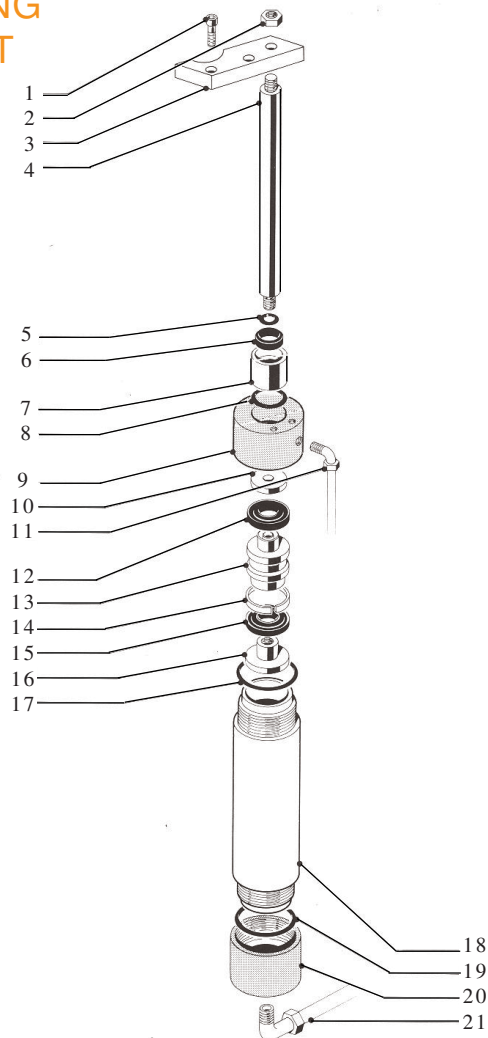
Pos.	Code	Beschrijving
11	-	Nut
12	-	Washer
13	1007	Block L.H.
14	1055	Ball bearing 608 -2RS
15	764	Pin 8 x 40 mm
16	-	Screw
17	1082	Straight pin for bearing
18	1083	Eccentric pin for bearing
19	1055	Ball bearing 608 -2RS
20	1101	Ring RS 6
21	-	Screw
22	1047	Insert 19 x 19 mm
23	1150	Insert holder
24	-	Screw
25	-	Nut
26	-	Screw
27	1048	Pin 5 x 30 T.
28	1149	Insert holder
29	-	Nut
30	736	Ratchet handle
31	2011	Mobile blade-guide
32	2426	Lock-plate for blade-guide
33	-	Screw
34	1084	Pin 6 x 25 mm
35	-	Screw
36	-	Screw
37	1047	Insert 19 x 19 mm
38	-	Screw
41	-	Nut

Pos.	Code	Beschrijving
42	-	Screw
43	1149	Insert holder
44	1047	Insert 19 x 19 mm
45	-	Screw
46	-	Screw
50	-	Screw
51	1048	Pin 5 x 30 T.
52	-	Nut
53	1150	Insert holder
54	1047	Insert 19 x 19 mm
55	-	Screw
56	-	Nut
57	-	Washer
58	1006	Block R.H.
59	-	Screw
60	1084	Pin 6 x 25
61	1128	Fixed blade guide
62	1082	Straight pin for bearing
63	1083	Eccentric pin for bearing
64	1055	Ball bearing 608 -2RS
65	1101	Ring RS 6
66	1055	Ball bearing 608 -2RS
67	-	Screw
68	764	Pin 8 x 40 mm



# Onderhouds- en gebruikershandleiding

## BEUGELVERPLAATSING SAW-BOW MOVEMENT

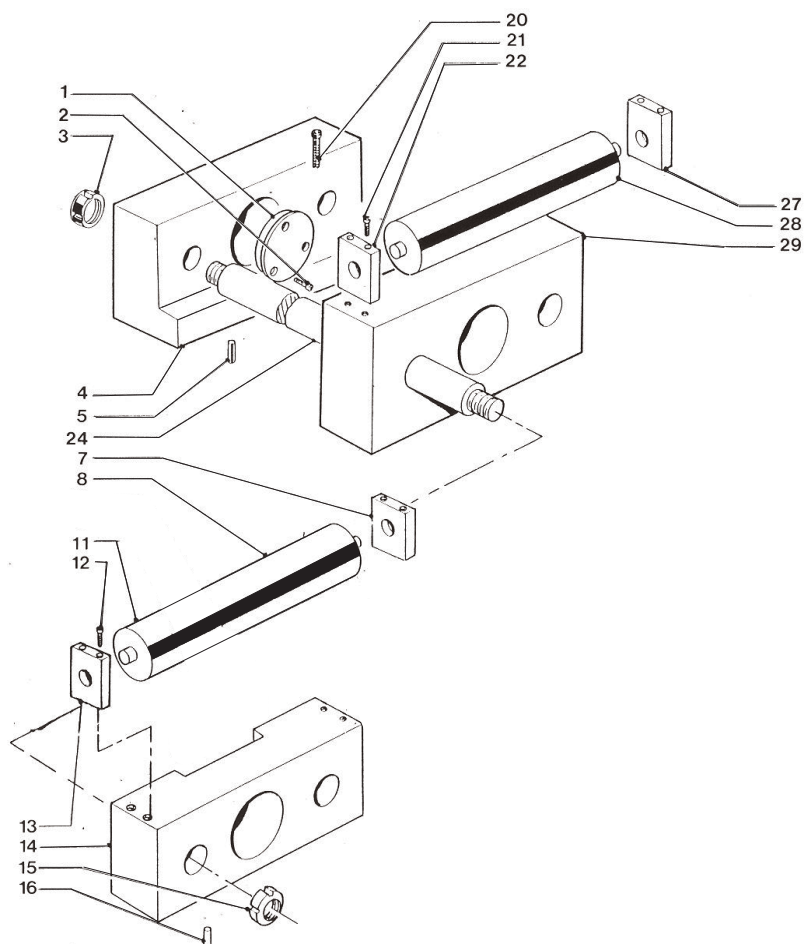


Pos.	Code	Beschrijving
1	-	Screw
2	1297	Nut 18 MB -14
3	1495	Bracket saw-bow cylinder
4	2356	CD - Rod
5	620	O-ring 116
6	637	Scraper WRM 098129
7	1228	Bronze bushing
8	625	O-ring 133
9	1229	CD - Cap
10	1233	CD - Washer
11	1300	Elbow 1/4"
12	614	Seal DS 196137
13	1235	CD - Head
14	1291	Slide-ring EDWR - 50
15	614	Seal DS 196137
16	1231	CD - Lock-nut
17	690	O-ring 156
18	2355	CD - Cylinder
19	690	O-ring156
20	2354	CD - Lower plug
21	1300	Elbow 1/4"



# Onderhouds- en gebruikershandleiding

## MATERIAALAANVOER BAR FEED

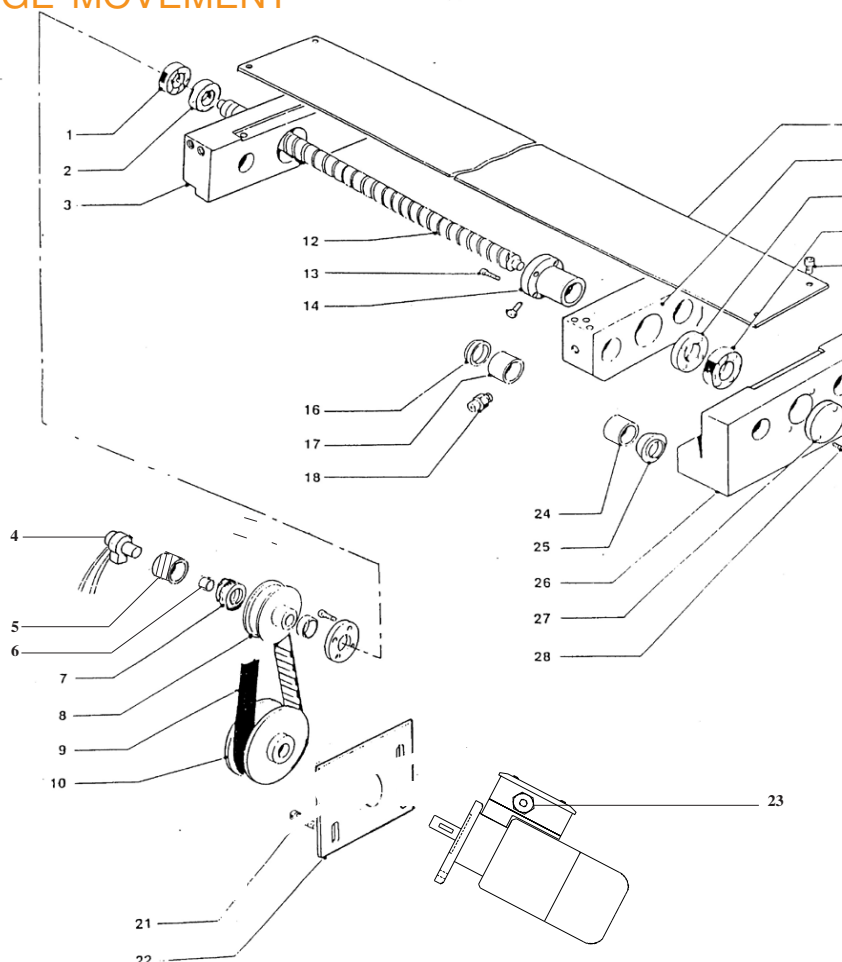


Pos.	Code	Beschrijving
1	1227	Pin
2	-	Screw
3	1299	Lock-nut GUK 25
4	2450	Front support
5	1048	Pin 5x30 T.
7	2420	Roller support
8	2422	Roller
11	2421	Pin for roller
12	-	Screw
13	2420	Roller support
14	2451	Rear support
15	1299	Lock-nut GUK 25
16	765	Pin 8x30 mm
20	-	Screw
21	-	Screw
22	2420	Roller support
24	1505	Slide guide
27	2420	Roller support
28	2422	Roller
29	2452	Mobile roller support



# Onderhouds- en gebruikershandleiding

## AANDRIJVING AANVOERKLEM CARRIAGE MOVEMENT



Pos.	Code	Beschrijving
1	552	Ball bearing 3305
2	-	Spacer 32/25 H21
3	2451	Rear support
4	2298	Encoder 0500
5	2249	Joint
6	2243	Pin 6x40 mm
7	2199	Lock-nut GUK 25
8	2147	Pulley 34 L.100
9	2067	Drive belt 270 L.100
10	2146	Pulley 20 L.100
12	2084	Ballscrew
13	-	Socket screw 6x25
14	2085	Screw-nut
16	1301	Scraper WRM 157196/PC
17	1455	Bronze bushing
18	641	Grease nipple
21	-	Hex.head screw 10x30
22	2392	Plate

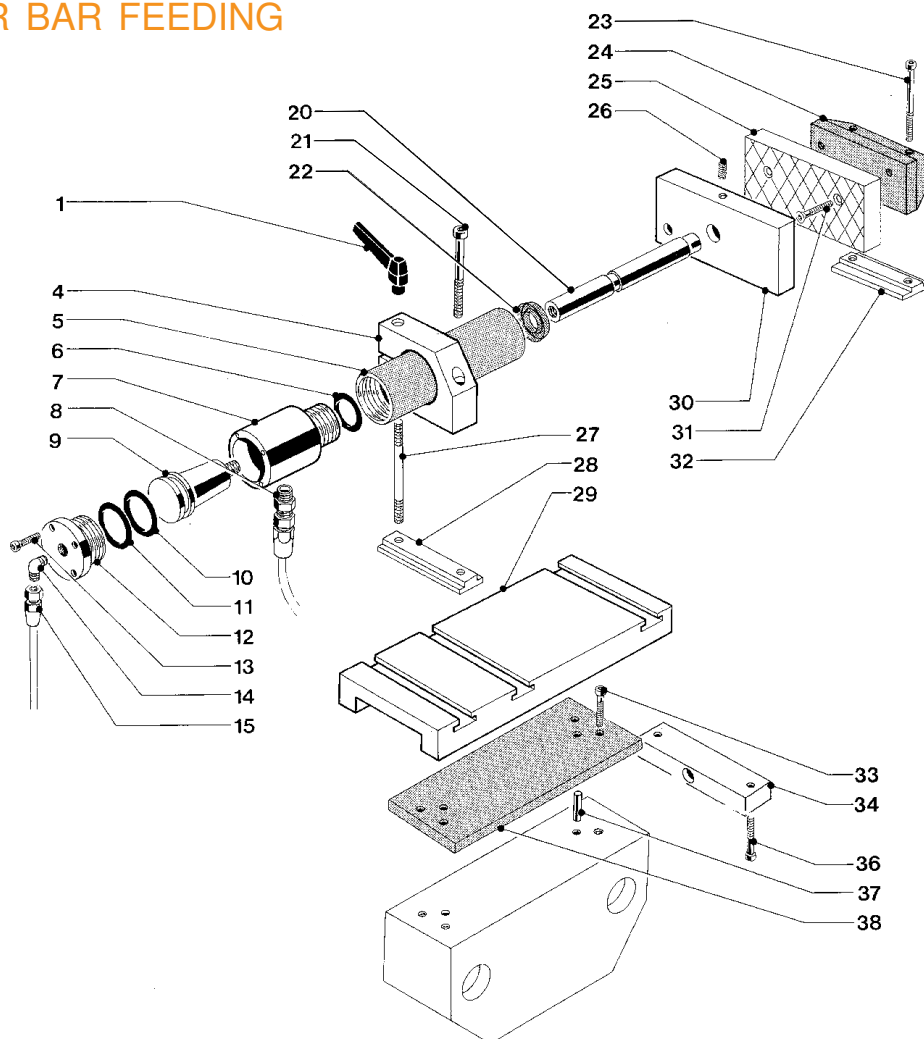
Pos.	Code	Beschrijving
23	1893	Electric motor 1.1 kW
24	1455	Bronze bushing
25	1301	Scraper WRM 157196/PC
26	2450	Front support
27	2076	Flange dia. 70
28	-	Countersunk screw 4x10
29	2455	Safeguard for drive-screw
30	2453	Slider
31	2078	Spacer
32	2077	Ball bearing 2304-2RS
33	-	Countersunk screw 6x14





# Onderhouds- en gebruikershandleiding

## MATERIAAL AANVOERKLEM VICE FOR BAR FEEDING



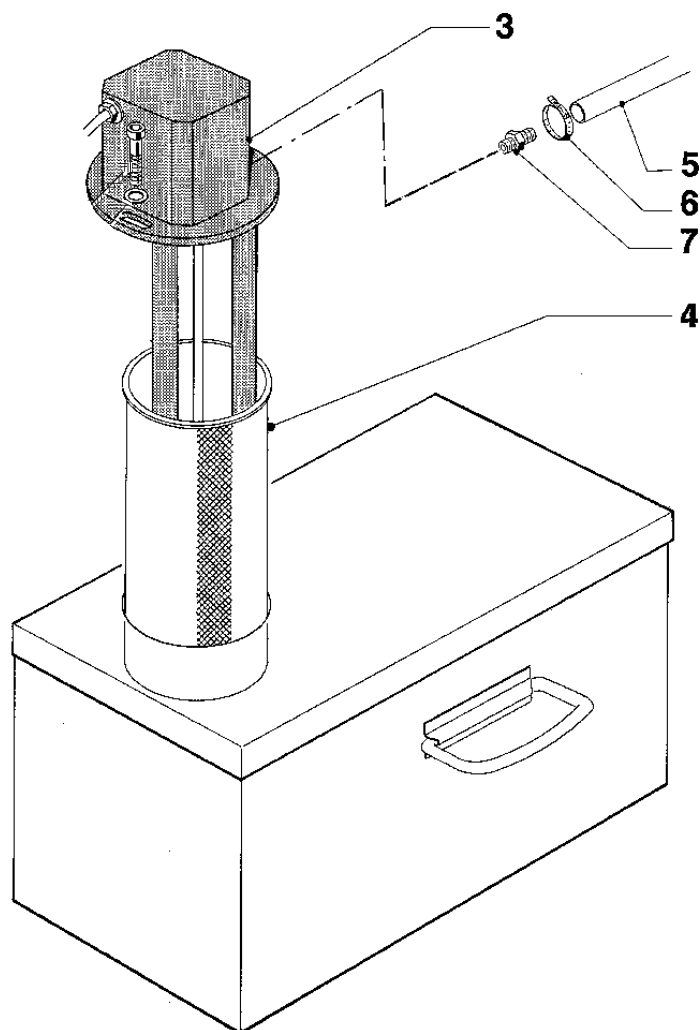
Pos.	Code	Beschrijving
1	2471	Ratchet handle
4	1668	Quill support
5	2428	Quill for slide vice
6	681	O-ring 140
7	1675	Cylinder for vice
8	1312	Nipple 1/4"
9	1674	Piston head for vice
10	628	O-ring 147
11	628	O-ring 147
12	1676	Plug for hydr. vice
13	-	Screw
14	1300	Elbow 1/4"
15	1463	Pipe R1 L. 840
20	2430	Rod for clamping vice
21	-	Screw
22	1200	Scraper WRM 137169

Pos.	Code	Beschrijving
23	-	Screw
24	1690	Vice for fixed slide
25	2434	Plate for fixed vice
26	-	Grub-screw
27	1669	Tie-rod MA 10
28	1671	Stop dog T L. 105
29	2425	Slide
30	2435	Plate for mobile vice
31	-	Screw
32	1281	Stop dog T L. 85
33	-	Screw
34	1263	Plate for slide
36	-	Screw
37	765	Pin 8 x 30
38	2424	Plate for slide/slider



# Onderhouds- en gebruikershandleiding

KOELPOMP  
COOLANT PUMP



Pos.	Code	Beschrijving
3	1298	Electric pump
4	1366	Filter
5	1337	Retex hose 13/19
6	1064	Hose clamp Serflex
7	2223	Rubber-holder

