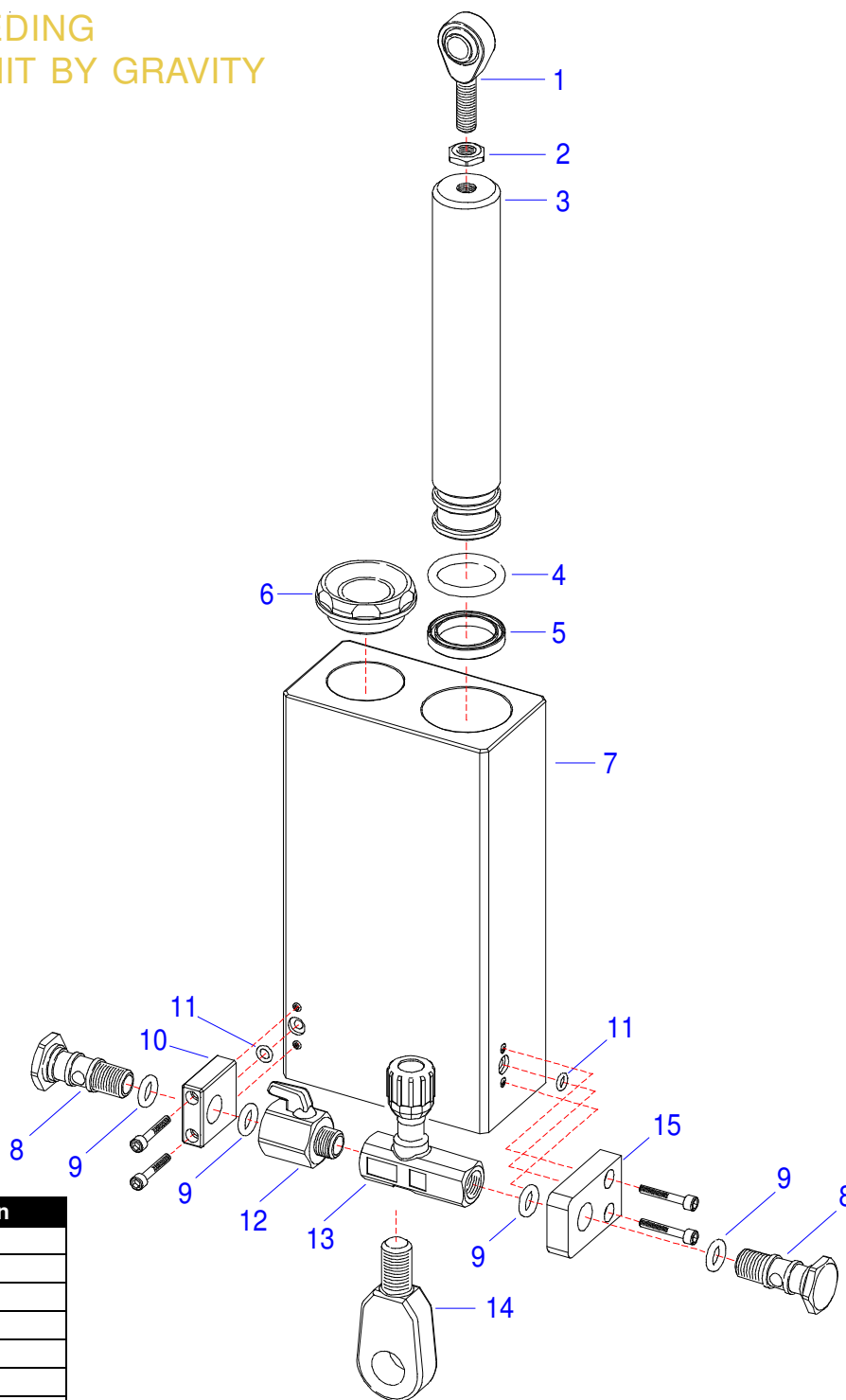


BIJLAGEN



Onderhouds- en gebruikershandleiding

ZAAGBEUGELVOEDING DOWNSTROKE UNIT BY GRAVITY

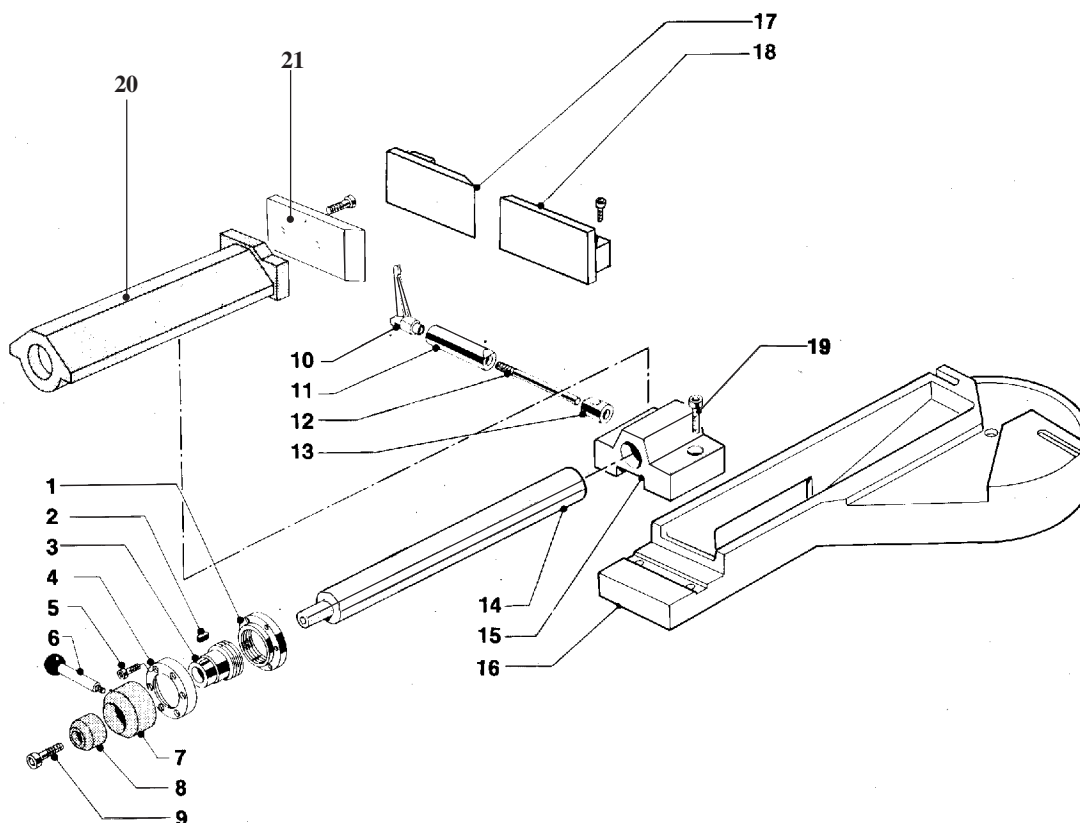


| Pos. | Code | Description |
|------|------|-------------------|
| 1 | 2822 | COUPLING IKO 12 |
| 2 | - | NUT |
| 3 | 2805 | PISTON |
| 4 | 626 | OR 136 - 4112 |
| 5 | 616 | DE 137 |
| 6 | 2811 | ELESA CAP |
| 7 | 2804 | CYLINDER - PUMP |
| 8 | 2809 | TAP BUSH |
| 9 | 619 | OR114 |
| 10 | 2823 | LEFT DISTRIBUTOR |
| 11 | 2828 | OR 105 - 2025 |
| 12 | 1324 | MINIBALL 1/4" |
| 13 | 2810 | TAP FT |
| 14 | 2806 | CYLINDER EYEBOLT |
| 15 | 2824 | RIGHT DISTRIBUTOR |



Onderhouds- en gebruikershandleiding

KLEM MOD TR 300 M AND TR 300 G



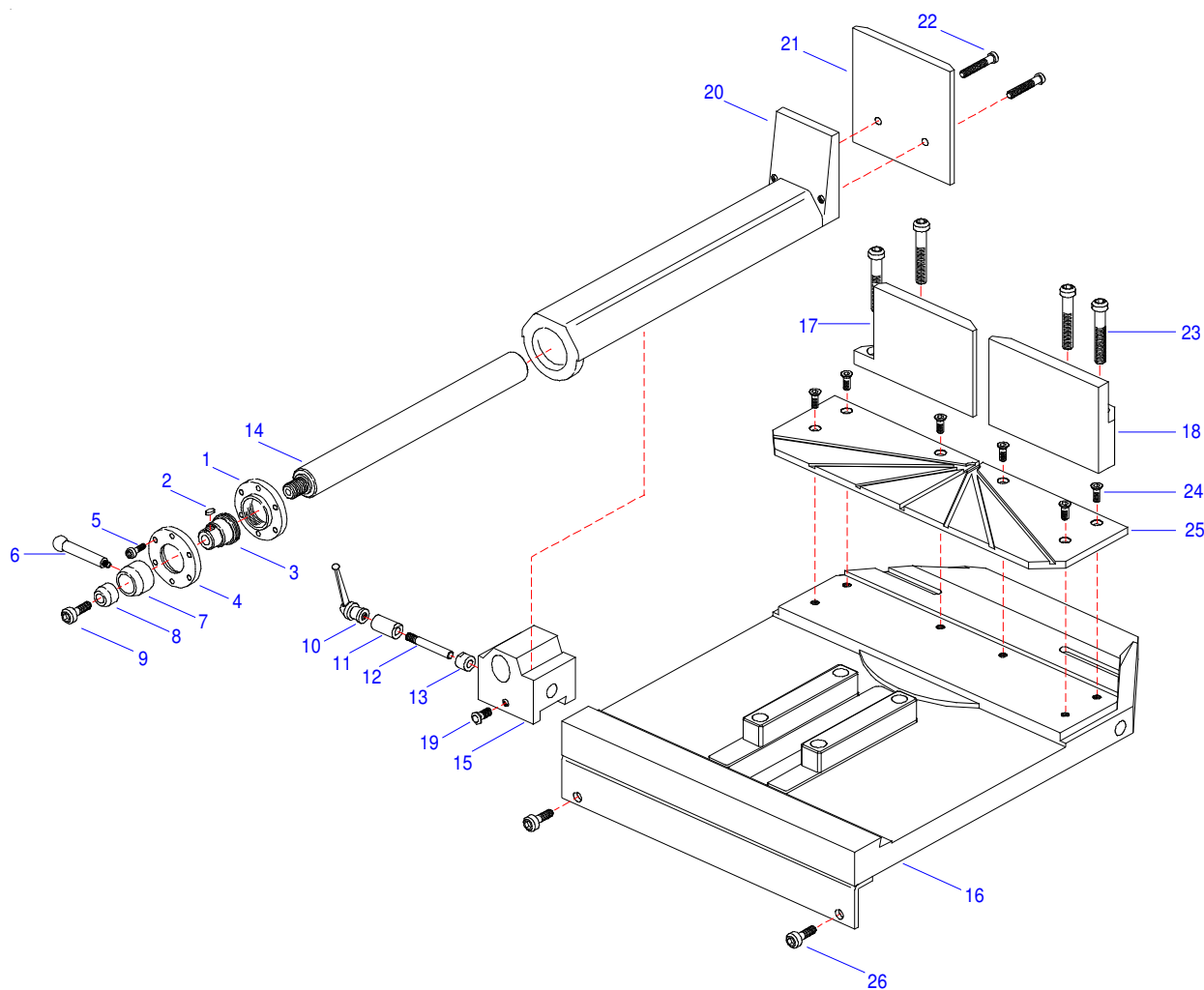
| Pos. | Code | Description |
|------|------|------------------|
| 1 | 744 | NUT SCREW TPN 12 |
| 2 | 545 | KEY 6X6X20 |
| 3 | 745 | SCREW TPN 12 |
| 4 | 746 | CAP |
| 5 | - | SCREW |
| 6 | 1613 | VICE STUD BOLT |
| 7 | 748 | Ø 65 KNOB |
| 8 | 747 | Ø 40 BUSH |
| 9 | - | SCREW |
| 10 | 736 | PICKUP HANDLE |

| Pos. | Code | Description |
|------|------|---------------------|
| 11 | 742 | 2 HALVES PIN |
| 12 | 1207 | TIE ROD |
| 13 | 742 | 2 HALVES PIN |
| 14 | 2008 | VICE GUIDE |
| 15 | 2003 | DOWEL |
| 16 | 2000 | VICE BASE |
| 17 | 2004 | FIXED VICE |
| 18 | 2005 | REFERENCE UNIT VICE |
| 19 | - | SCREW |
| 20 | 2001 | MOBILE VICE |
| 21 | 2009 | MOBILE VICE PLATE |



Onderhouds- en gebruikershandleiding

KLEM MOD TR 300 D-G



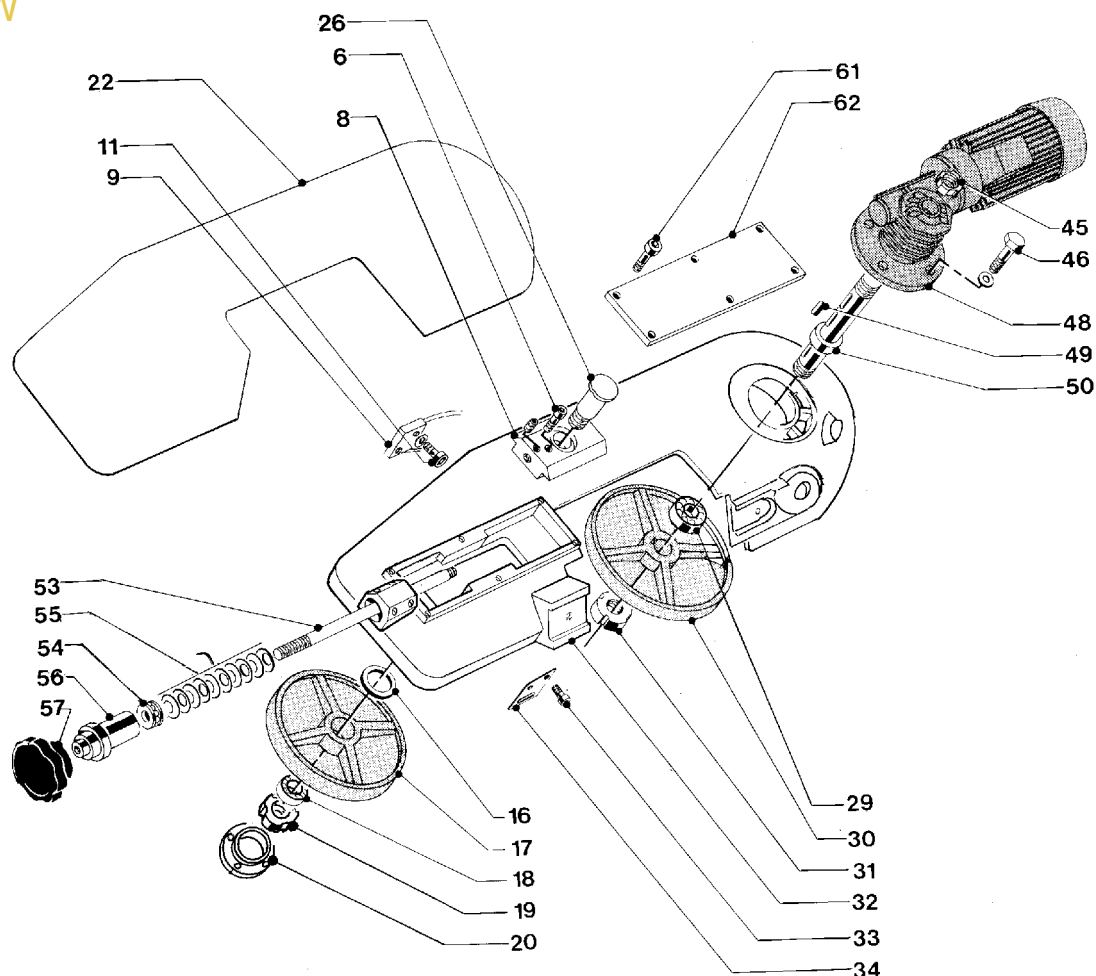
| Pos. | Code | Description |
|------|------|------------------|
| 1 | 744 | NUT SCREW TPN 12 |
| 2 | 545 | KEY 6X6X20 |
| 3 | 745 | SCREW TPN 12 |
| 4 | 746 | CAP |
| 5 | - | SCREW |
| 6 | 1613 | VICE STUD BOLT |
| 7 | 748 | Ø 65 KNOB |
| 8 | 747 | Ø 40 BUSH |
| 9 | - | SCREW |
| 10 | 736 | PICKUP HANDLE |
| 11 | 742 | 2 HALVES PIN |
| 12 | 1207 | TIE ROD |
| 13 | 742 | 2 HALVES PIN |
| 14 | 2008 | VICE GUIDE |

| Pos. | Code | Description |
|------|------|-------------------------|
| 15 | 2665 | SUPPORT FOR MOBILE VICE |
| 16 | 2657 | BASE / PLATEAU |
| 17 | 2803 | LEFT VICE |
| 18 | 2802 | RIGHT VICE |
| 19 | - | SCREW |
| 20 | 2001 | MOBILE VICE |
| 21 | 2827 | MOBILE VICE PLATE |
| 22 | - | SCREW |
| 23 | - | SCREW |
| 24 | - | SCREW |
| 25 | 2815 | BEARING PLATE |
| 26 | - | SCREW |



Onderhouds- en gebruikershandleiding

ZAAGBEUGEL BOW



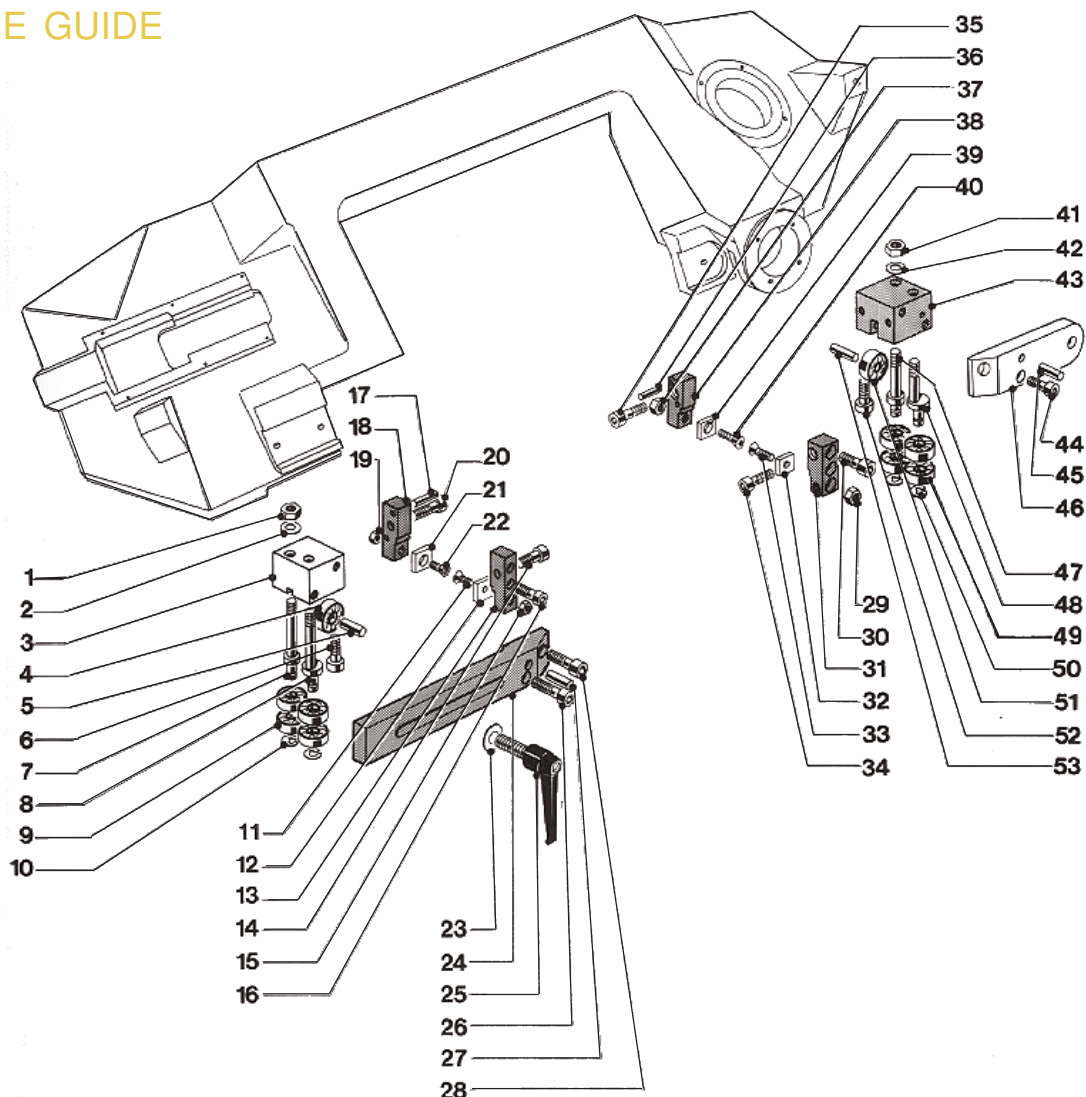
| Pos. | Code | Description |
|------|------|-----------------------|
| 6 | - | SCREW |
| 8 | 1036 | BLADE TIGHTENER DOWEL |
| 9 | 1075 | MICROSWITCH |
| 11 | - | SCREW |
| 16 | 2019 | WASHER |
| 17 | 1593 | CONDUCTED FLYWHEEL |
| 18 | 1604 | BEARING 3206 |
| 19 | 1068 | GUK 30 |
| 20 | 1609 | CAP |
| 22 | 2021 | BOW GUARD |
| 26 | 2018 | CONDUCTED PULLEY PIN |
| 29 | 1058 | BEARING 6307 - ZZ |
| 30 | 1594 | DRIVE FLYWHEEL |
| 31 | 1194 | GUK 35 |
| 32 | 2020 | BOW |

| Pos. | Code | Description |
|------|-----------|----------------------|
| 33 | - | SCREW |
| 34 | - | BOW STRAP |
| 45 | 1299 | GUK 25 |
| 46 | - | SCREW |
| 48 | 1310+1393 | GEARMOTOR |
| 49 | 1054 | KEY N°2 |
| 50 | 2014 | DRIVE SHAFT |
| 53 | 1410 | TIE ROD |
| 54 | 1247 | BEARING |
| 55 | 1245 | BELLEVILLE WASHER |
| 56 | 2048 | BLADE TIGHTENER BUSH |
| 57 | 1244 | FLYWHEEL |
| 62 | 2029 | PLATE TR 300 |



Onderhouds- en gebruikershandleiding

ZAAGBLADGELEIDING BLADE GUIDE



| Pos. | Code | Description |
|------|------|---------------------------|
| 1 | - | NUT |
| 2 | - | WASHER |
| 3 | 1007 | LEFT BLOCK |
| 4 | 1055 | BEARING 608-2 RS |
| 5 | 764 | 8X40 PIN |
| 6 | - | SCREW |
| 7 | 1082 | PIN FOR STRAIGHT BEARING |
| 8 | 1083 | PIN FOR ECCENTRIC BEARING |
| 9 | 1055 | BEARINGS 608-2 RS |
| 10 | 1101 | RS 6 |
| 11 | - | SCREW |
| 12 | 1047 | 19X19 INSERT |
| 13 | 1150 | INSERT SUPPORT |
| 14 | - | SCREW |
| 15 | - | NUT |
| 16 | - | SCREW |
| 17 | 1048 | 5X30 PIN |
| 18 | 1149 | INSERT SUPPORT |

| Pos. | Code | Description |
|------|------|----------------------------|
| 19 | - | NUT |
| 20 | - | SCREW |
| 21 | 1047 | 19X19 INSERT |
| 22 | - | SCREW |
| 23 | 2011 | MOBILE BLADE GUIDE |
| 24 | - | SCREW |
| 25 | 1084 | 6X25 PIN |
| 26 | - | SCREW |
| 27 | 736 | HANDLE |
| 28 | 2012 | BLOCKING BLADE GUIDE PLATE |
| 29 | - | NUT |
| 30 | - | SCREW |
| 31 | 1149 | INSERT SUPPORT |
| 32 | 1047 | 19X19 INSERT |
| 33 | - | SCREW |
| 34 | - | SCREW |
| 35 | - | SCREW |
| 36 | 1048 | 5X30 PIN |

| Pos. | Code | Description |
|------|------|---------------------------|
| 37 | - | NUT |
| 38 | 1150 | INSERT SUPPORT |
| 39 | 1047 | 19X19 INSERT |
| 40 | - | SCREW |
| 41 | - | NUT |
| 42 | - | WASHER |
| 43 | 1006 | RIGHT BLOCK |
| 44 | - | SCREW |
| 45 | 1084 | 6X25 PIN |
| 46 | 1128 | FIXED BLADE GUIDE |
| 47 | 1082 | PIN FOR STRAIGHT BEARING |
| 48 | 1083 | PIN FOR ECCENTRIC BEARING |
| 49 | 1055 | BEARINGS 608-2RS |
| 50 | 1101 | RS6 |
| 51 | 1055 | BEARING 608-2RS |
| 52 | - | SCREW |
| 53 | 764 | 8X40 PIN |

