

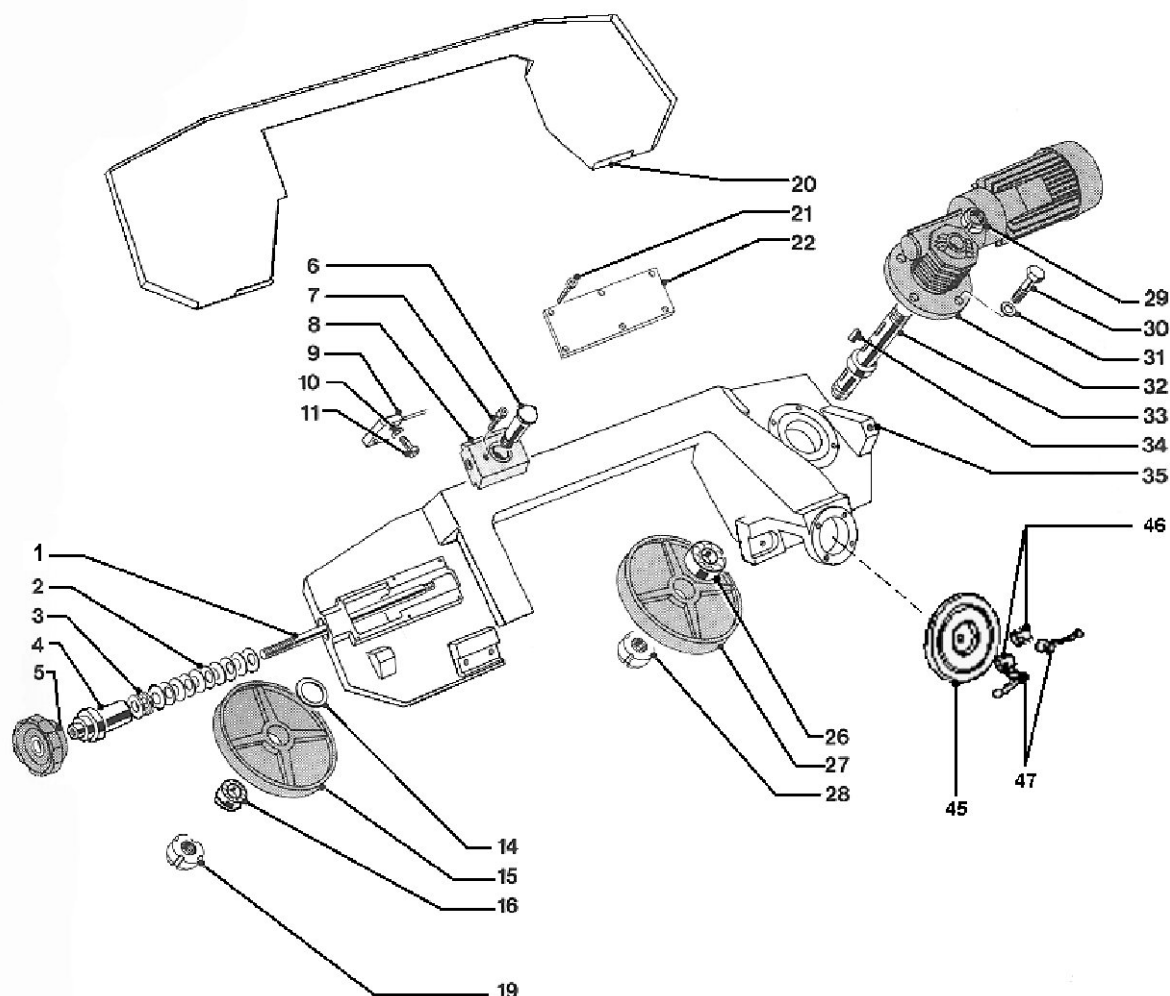
## BIJLAGEN



# Onderhouds- en gebruikershandleiding

## ZAAGBEUGEL

B



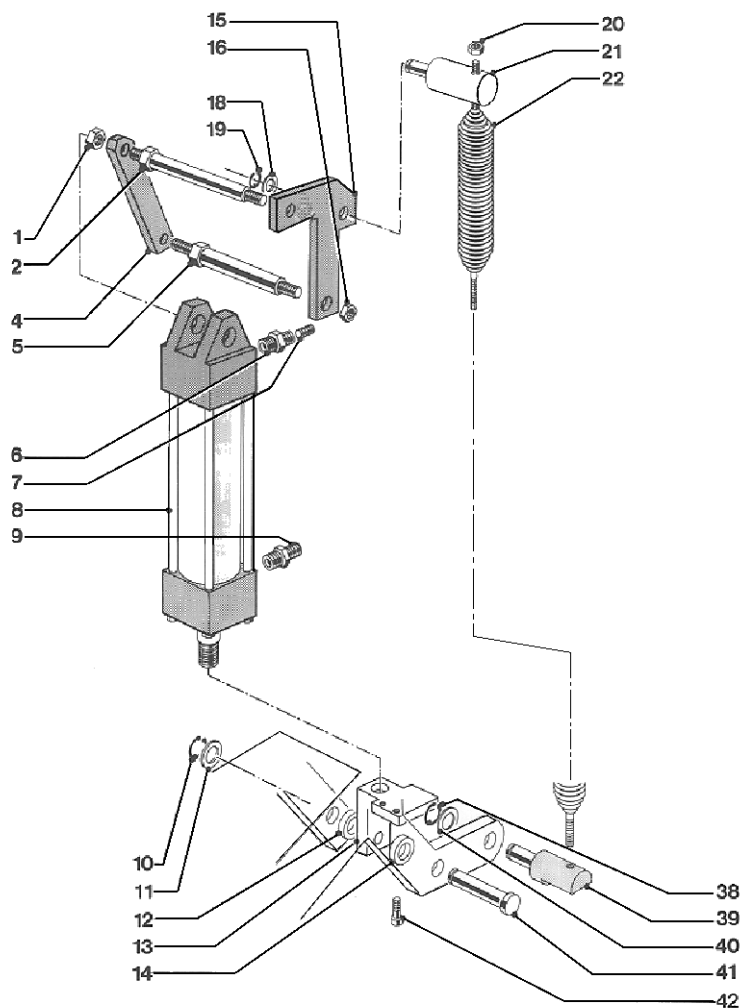
Pos.	CODE	Description
1	2442	PULLEY ROD
2	1245	BELLEVILLE WASHER Ø 28
3	1247	51202 BEARING
4	2048	BLADE TENSIONER BUSHING
5	1244	VL140 HANDWHEEL
6	2018	COND. PULLEY PIN
7	-	SCREW
8	1036	BLADE TENSIONER ANCHOR
9	1075	BOW GUARD MICRO
10	-	SCREW
11	-	SCREW
14	1589	WASHER
15	2041	CONDUCTED PULLEY
16	1604	BEARING 3206
19	1068	GUK 30 RING

Pos.	CODE	Description
20	2021	BOW GUARD
21	-	SCREW
22	2029	CONDUCTED PULLEY GUARD
26	1058	6307_ZZ BEARING
27	1594	MOTOR PULLEY
28	1194	GUK 35 RING
29	1299	GUK 35 RING
30	-	SCREW
31	-	WASHER
32	1310 + 1393	GEARED MOTOR
33	2014	DRIVING SHAFT
34	1054	7X8X30 KEY
45	1703	SPAØ90 CAP
46	2532	MICROANCHOR
47	2530	MA6 PRESS HANDLE



# Onderhouds- en gebruikershandleiding

## BEUGELVERPLAATSING BOW MOVEME



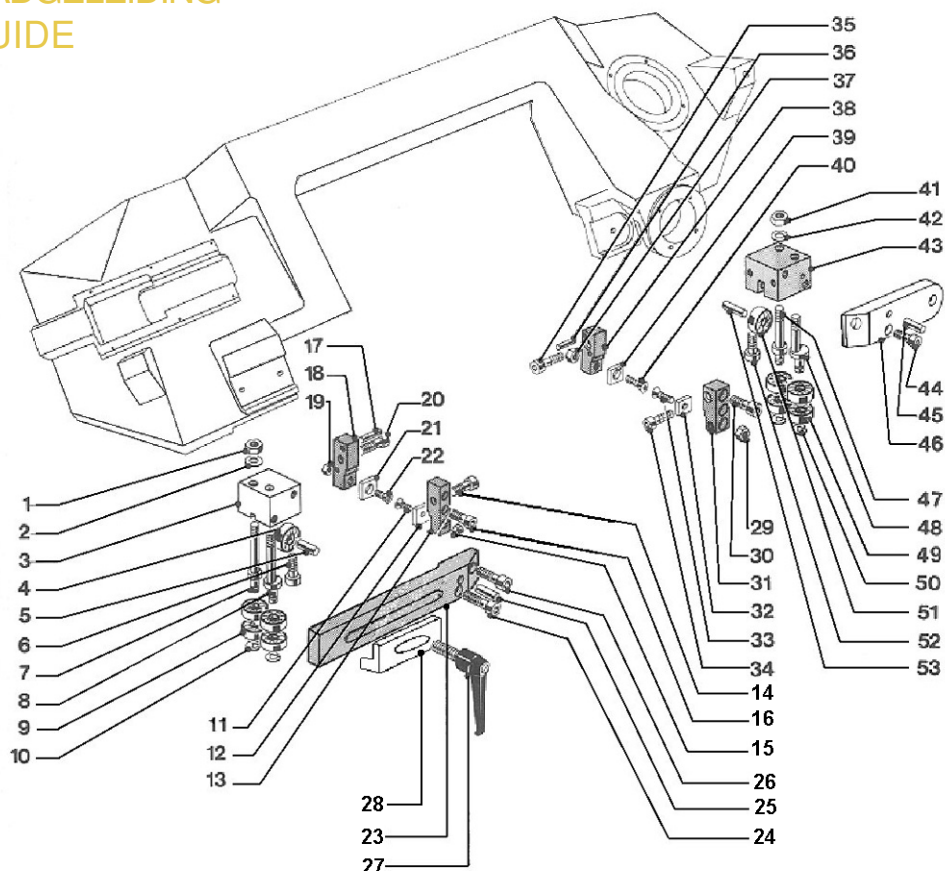
Pos.	CODE	Description
1	-	NUT
2	1646	PIN ES
4	1596	CD 30 X 12 BRACKET
5	1599	CD PIN
6	1312	NIPPLES 1/4"
7	-	GRUB SCREW
8	1652	CD CYLINDER
9	1312	NIPPLES 1/4"
10	1102	SEEGER RS 12
11	-	WASHER
12	-	DIST WASHER
13	1712	SPA HINGE
14	-	DIST WASHER

Pos.	CODE	Description
15	1597	CD SHAPED BRACKET
16	-	NUT
18	-	WASHER
19	1102	SEEGER RS12
20	-	NUT
21	1601	SPRING PIN
22	2039	BOW SPRING
38	1102	SEEGER RS 12
39	2017	FR SPRING PIN
40	-	WAHSER
41	1845	CD Ø 14 PIN
42	-	SCREW



# Onderhouds- en gebruikershandleiding

## ZAAGBLADGELEIDING BOW GUIDE



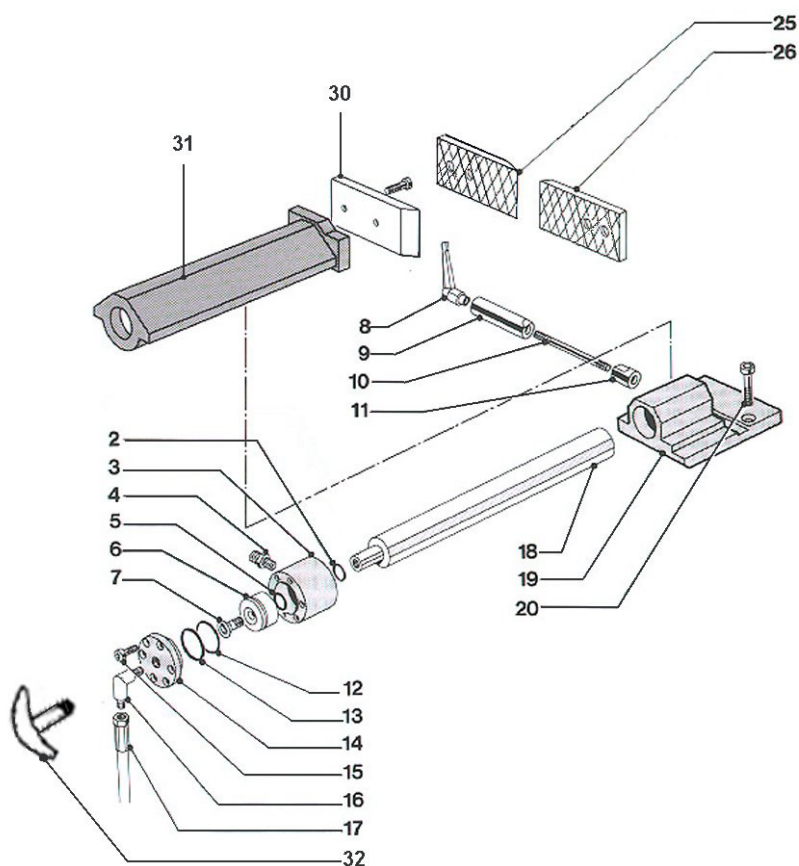
Pos.	CODE	Description
1	-	NUT
2	-	WASHER
3	1007	LEFT SLIP GAUGE
4	1055	BEARING 608-2 RS
5	764	8 X 40 PIN
6	-	SCREW
7	1082	STRAIGHT BEARING PIN
8	1083	EXCENTRIC BEARING PIN
9	1055	608-2 RS BEARINGS
10	1101	RS 6
11	-	SCREW
12	1047	19 X 19 INSERT
13	1150	INSERT SUPPORT
14	-	SCREW
15	-	NUT
16	-	SCREW
17	1048	5 X 30 T. PLUG
18	1149	INSERT SUPPORT
19	-	NUT
20	-	SCREW
21	1047	19 X 19 INSERT
22	-	SCREW
23	2011	MOBILE BLADEGUARD
24	-	SCREW
25	1084	PIN 6 X 25
26	-	SCREW

Pos.	CODE	Description
27	736	RECOVERY HANDLE
28	2012	BLADEGUIDE LOCKING PLATE
29	-	NUT
30	-	SCREW
31	1149	INSERT SUPPORT
32	1047	INSERT 19 X 19
33	-	SCREW
34	-	SCREW
35	-	SCREW
36	1048	5 X 30 T. PLUG
37	-	NUT
38	1150	INSERT SUPPORT
39	1047	19 X 19 INSERT
40	-	SCREW
41	-	NUT
42	-	WASHER
43	1006	RIGHT SLIP GAUGE
44	-	SCREW
45	1084	PIN 6 X 25
46	1128	FIXED BLADEGUIDE
47	1082	STRAIGHT BEARING PIN
48	1083	EXCENTRIC BEARING PIN
49	1055	BEARINGS 608 - 2 RS
50	1101	RS6
51	1055	608 - 2 RS BEARINGS
52	-	SCREW
53	764	8 X 40 PIN



# Onderhouds- en gebruikershandleiding

## MATERIAALKLEM VICE



Pos.	CODE	Description
2	---	OR RING 119
3	1847	CILINDER GH
4	1312	NIPPLE 1/4
5	--	OR RING 126
6	1846	PISTON HEAD
7	---	TSCE SCREW
8	736	MA 10 RECOVERY HANDLE
9	742	2 HALVED PIN
10	1207	MA 10 ROD
11	742	2 HALVED PIN
12	---	OR RING 147
13	---	OR RING 147
14	1676	CAP
15	---	SCREW
16	1360	1/4" NIPPLE

Pos.	CODE	Description
17	---	R1 PIPE
18	1848	VICEGUIDE
19	2003	MOB. VICE SUPPORT
20	-	SCREW
25	2004	LEFT VICE PLATE
26	2005	RIGHT VICE PLATE
30	2009	MOB. VICE PLATE
31	2001	MOBILE VICE
32	1691	HANDLE

