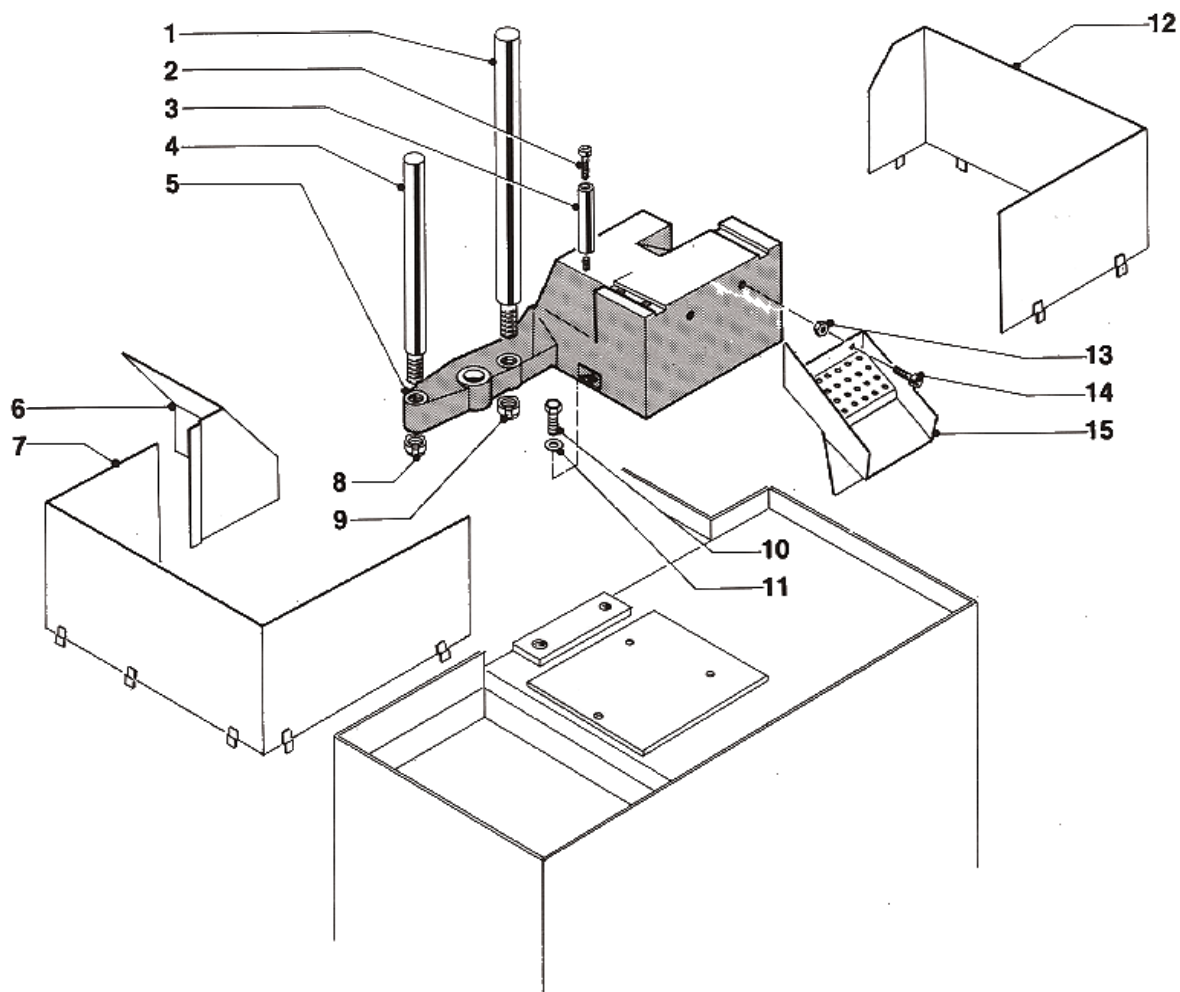


BIJLAGEN



Onderhouds- en gebruikershandleiding

VICE BASE - BOW BEARING

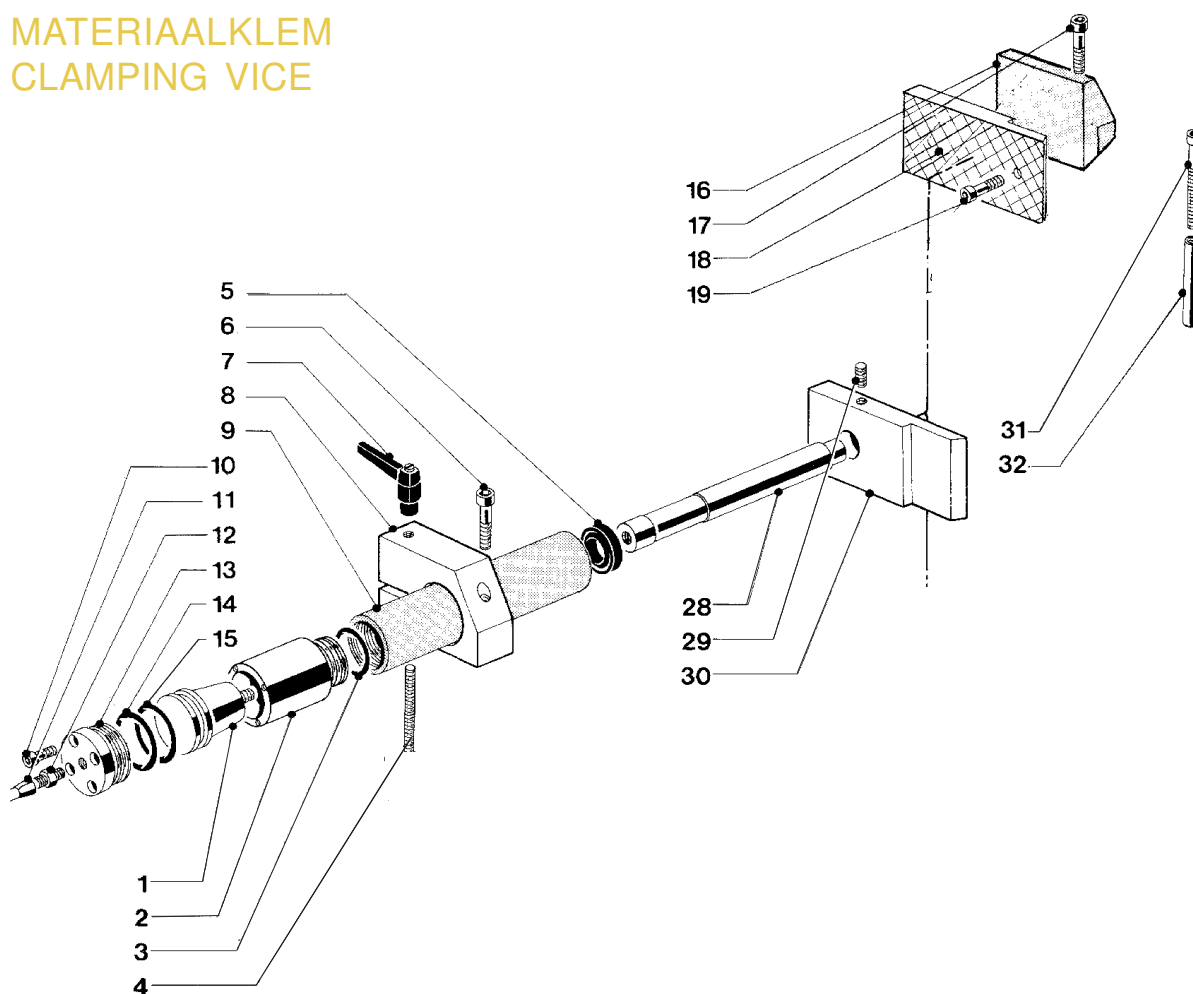


Pos.	CODE	Description
1	1651	CR 60 column
2	-	Screw
3	1667	Hardened pin
4	1657	CR 50 column
5	1656	Vice base
6	-	Protection guard
7	-	Protection guard
8	1194	GUK 35 ring nut
9	1194	GUK 35 ring nut
10	-	Screw
11	-	Washer
12	-	Protection guard
13	-	Nut
14	-	Screw
15	1688	Slide



Onderhouds- en gebruikershandleiding

MATERIAALKLEM CLAMPING VICE



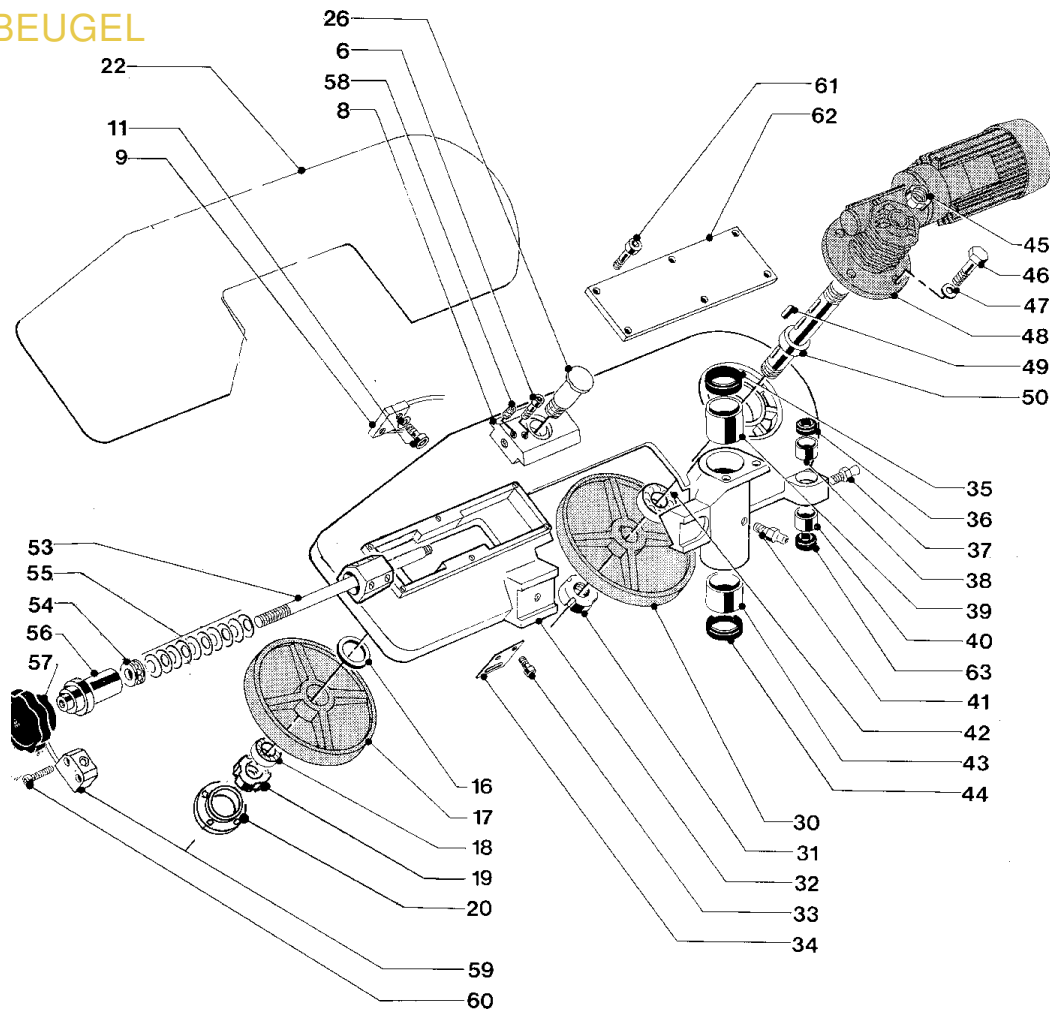
Pos.	CODE	Description
1	1674	Piston head
2	1675	cylinder
3	681	OR 140
4	1669	L. 138 tensioning bar
5	1200	WRM 137169
6	-	Screw
7	2471	Recovery handle
8	1668	Sleeve bearing
9	2427	Bands. vice sleeve
10	-	Screw
11	1462	R1 L. 500 pipe
12	1312	1/4" Nipple
13	1676	Hydr. vice cap.
14	628	OR 147

Pos.	CODE	Description
15	628	OR 147
16	1690	Bands. fixed vice
17	-	Screw
18	1678	Bands. fixed vice plate
19	-	Screw
28	1673	Bands. vice rod
29	-	Dowel
30	1677	Bands. moving vice
31	1667	Screw
32	-	Hardened pin for guide
33	1640	Tooth



Onderhouds- en gebruikershandleiding

ZAAGBEUGEL BOW



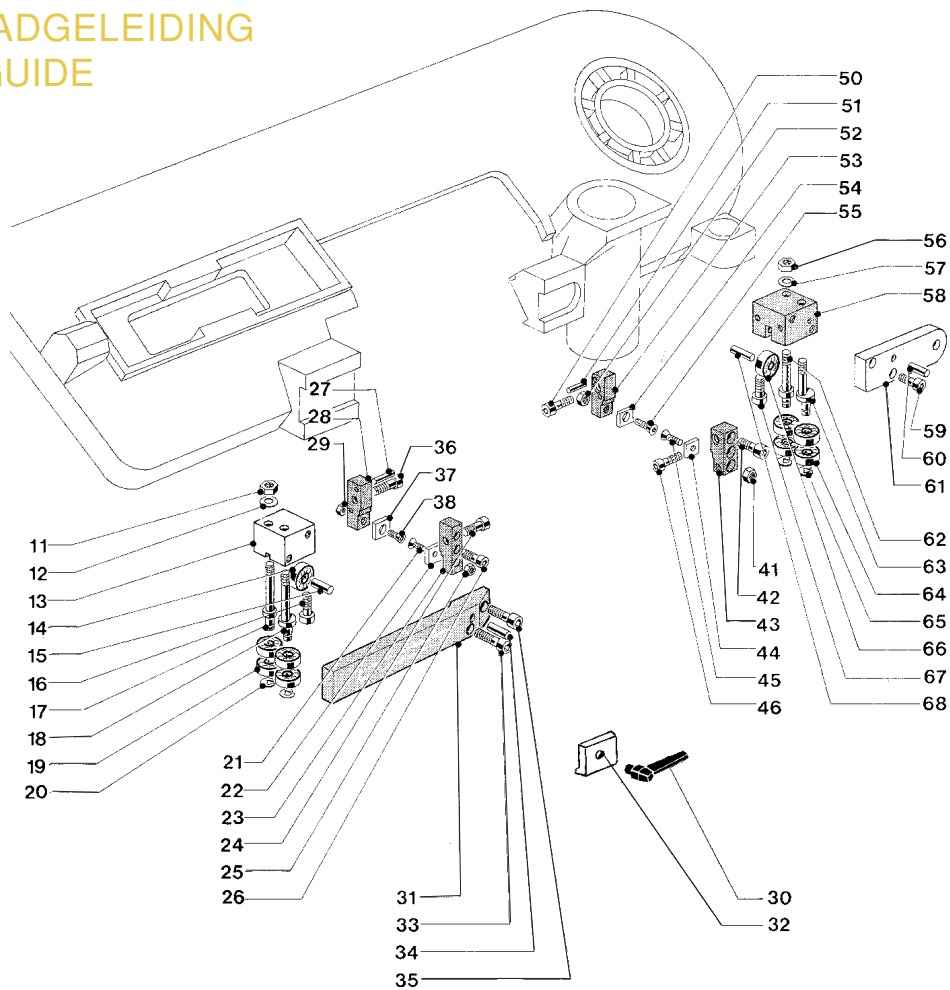
Pos.	CODE	Description
6	-	Screw
8	1036	Blade tensioning adjuster block
9	1075	Microswitch
11	-	Screw
16	1527	Driven pulley washer
17	1593	Driven pulley
18	1604	3206 ball bearing
19	1068	Guk 30 ring nut
20	1609	Pulley cover
22	1659	Guard for bow
26	1025	Driven pulley cover
30	1594	Motor pulley
31	1194	Guk 35 ring nut
32	1658	Bow
33	-	Screw
34	-	Strip
35	1406	WRM 236275/C
36	1202	WRM 196236
37	641	1/8 Lubricator
38	1186	Bronze bush
39	1481	Bronze bush
40	1186	Bronze bush

Pos.	CODE	Description
41	641	1/8 Lubricator
42	1058	6307 -zz ball bearing
43	1481	Bronze bush
44	1406	WRM 236245/C
45	1194	Guk 35 ring nut
46	-	Screw
47	-	Washer
48	1528	Motoreducer
49	1535	10 x 8 x 60 feather key
50	1662	Motor shaft
53	1410	Pulley tensioning bar
54	1247	51202 ball bearing
55	1245	Springs
56	1242	Blade tension adjuster bush
57	1244	VL 140 handwheel
58	-	Dowel
59	929	M081/CT microswitch
60	-	Screw
62	1408	Pulley guard



Onderhouds- en gebruikershandleiding

ZAAGBLADGELEIDING BLADE GUIDE



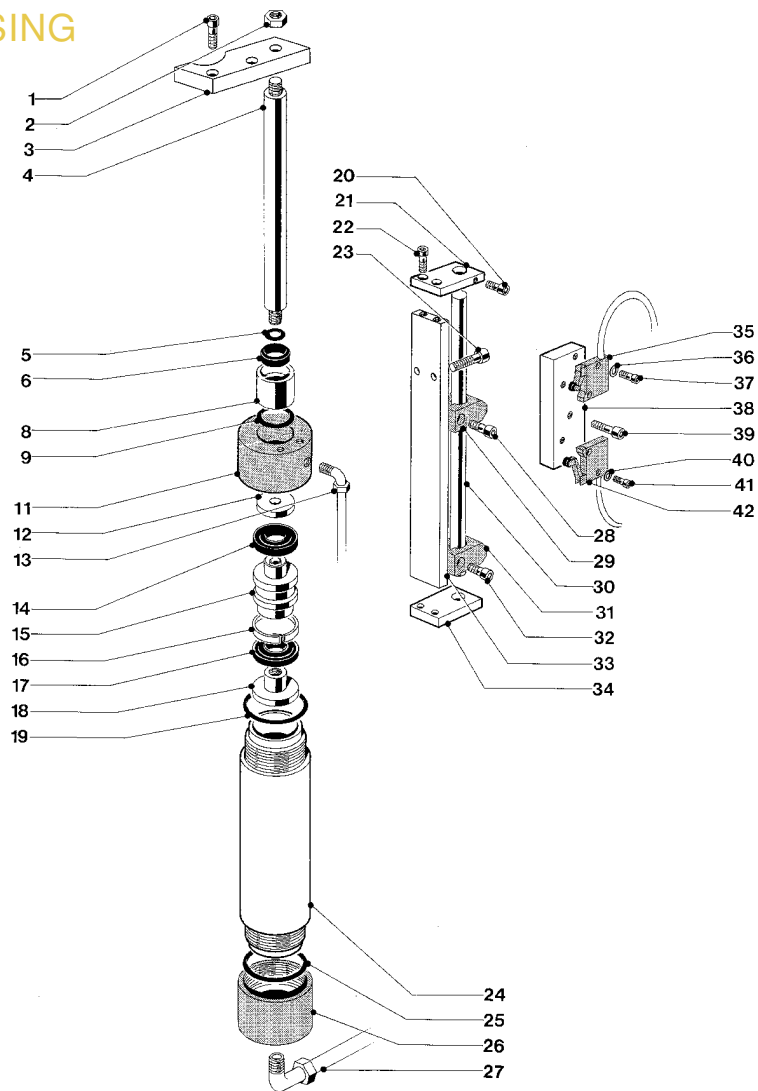
Pos.	CODE	Description
11	-	Nut
12	-	Washer
13	1007	Left block
14	1055	608 - 2RS ball bearing
15	764	8 x 40 pin
16	-	Screw
17	1082	Pin for straight ball bearing
18	1083	Pin for eccentric ball bearing
19	1055	608 - 2RS ball bearing
20	1101	RS 6
21	-	Screw
22	1047	19 x 19 inset
23	1150	Insert bearing
24	-	Screw
25	-	Nut
26	-	Screw
27	1048	5 x 30 T. pin
28	1149	Insert bearing
29	-	Nut
30	736	Recovery handle
31	1014	Mov. bow guide
32	2012	Bow guide locking plate
33	-	Screw
34	1084	6 x 25 pin
35	-	Screw
36	-	Screw
37	1047	19 x 19 insert
38	-	Screw
41	-	Nut

Pos.	CODE	Description
42	-	Screw
43	1149	Insert bearing
44	1047	19 x 19 insert
45	-	Screw
46	-	Screw
50	-	Screw
51	1048	5 x 30 T. pin
52	-	Nut
53	1150	Insert bearing
54	1047	19 x 19 insert
55	-	Screw
56	-	Nut
57	-	Washer
58	1007	Right block
59	-	Screw
60	1084	6 x 25 pin
61	1128	Fixed bow guide
62	1082	Pin for left ball bearing
63	1083	Pin for eccentric ball bearing
64	1055	608 - 2RS ball bearing
65	1101	RS 6
66	1055	608 - 2RS ball bearing
67	-	Screw
68	764	8 x 40 pin



Onderhouds- en gebruikershandleiding

BEUGELVERPLAATSING BOW MOVEMENT



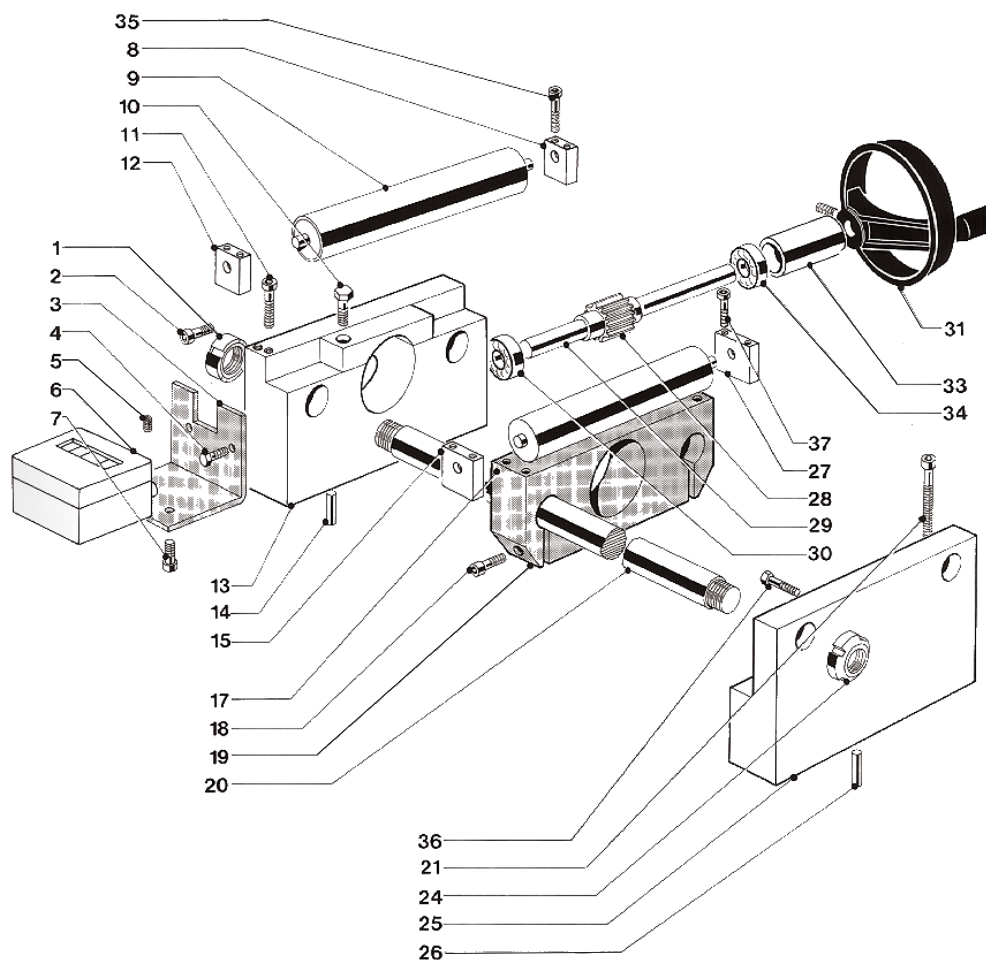
Pos.	CODE	Description
1	-	Screw
2	1297	18 MB -14 Nut
3	1495	Bow cylinder bracket
4	1664	CD - rod
5	620	OR 116
6	637	WRM 098129
8	1228	Bronze bush
9	625	OR 133
11	1229	CD - cap
12	1233	CD - washer
13	1300	1/4" elbow
14	614	DS 196137
15	1235	CD - head
16	1291	EDWR - 50
17	614	DS 196137
18	1231	CD - ring nut
19	690	OR 156
20	-	Screw
21	1169	DCM - cap
22	-	Screw

Pos.	CODE	Description
23	-	Screw
24	1663	CD - cylinder
25	690	OR 156
26	1484	CD -cap below
27	1300	1/4" elbow
28	-	Screw
29	1170	Slider
30	1666	DCM - rod
31	1170	Slider
32	-	Screw
33	1665	DCM - plate
34	1169	DCM - bearing
35	2197	Micro PZ-FA-4115-R2
36	-	Washer
37	-	Screw
38	1265	CD - microswitch bearing
39	-	Screw
40	-	Washer
41	-	Screw
42	2197	Micro PZ-FA-4115-R2



Onderhouds- en gebruikershandleiding

BAR FORWARD FEED



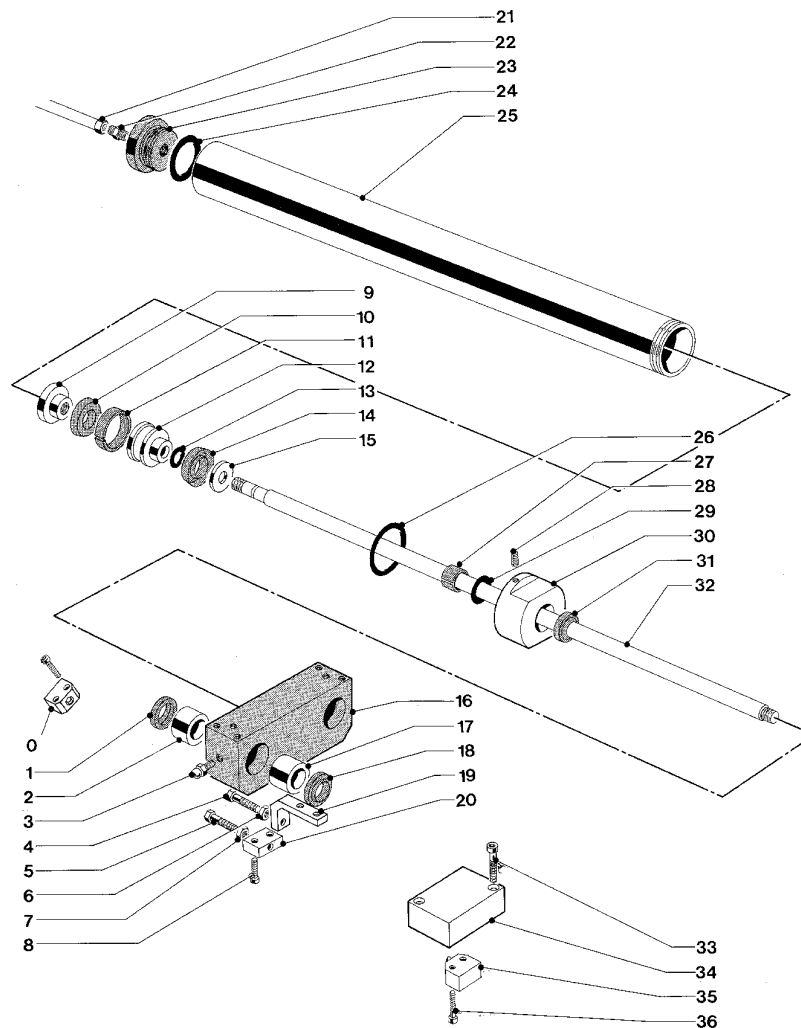
Pos.	CODE	Description
1	1299	GUK 25 ring nut
2	-	Screw
3	1272	Metercounter bracket
4	-	Screw
5	-	Dowel
6	1293	Right metercounter
7	-	Screw
8	1686	Roller bearing
9	1687	Roller
10	-	Screw
11	-	Screw
12	1686	Roller bearing
13	1511	Feeder rear bearing
14	765	8x30 pin

Pos.	CODE	Description
15	1686	Roller bearing
17	1687	Roller
18	-	Screw
19	1512	Moving roller bearing
20	1505	Slide guides
21	-	Screw
24	1299	GUK 25 ring nut
25	1510	Feeder front bearing
26	765	8x30 pin
27	1686	Roller bearing
28	765	Pin 8x30
29	1457	Pinion
30	1296	6202 ball bearing
31	1350	VRTP 125 handwheel
33	1469	pinion bush
34	1296	6202 ball bearing



Onderhouds- en gebruikershandleiding

CILINDER



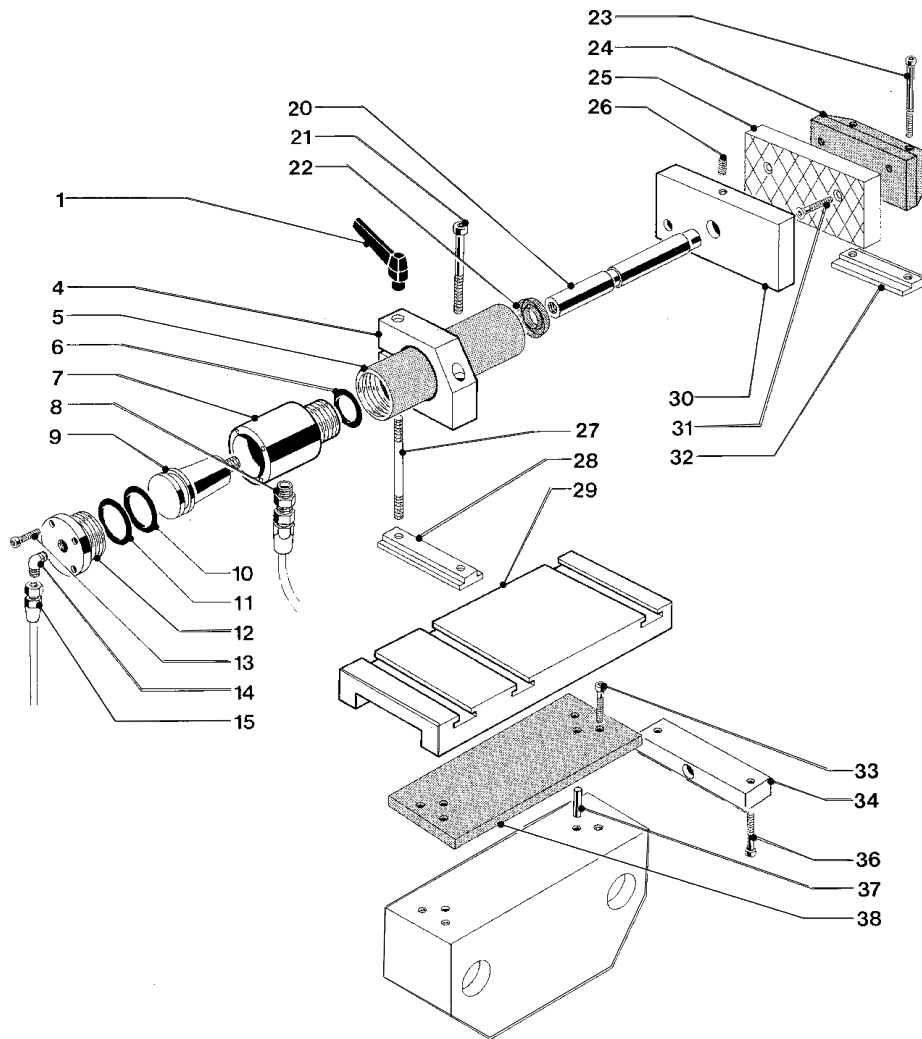
Pos.	CODE	Description
0	931	M081/CTK microswitch
1	1301	WRM 157196/PC
2	1455	Bronze bush
3	-	1/8 Lubricator
4	-	Screw
5	-	Screw
6	-	Nut
7	-	Nut
8	-	Screw
9	1231	CD - ring nut
10	614	DS 196137
11	1291	EDWR - 50
12	1235	CD - piston head
13	620	OR 116
14	614	DS 196137
15	1233	CD - washer
16	1503	Slider
17	1455	Bronze bush
18	1201	WRM 157196/PC
19	1508	Bracket for F/A micro

Pos.	CODE	Description
20	1515	Block for F/R microswitch
21	1353	R1 L. 2200 pipe
22	1300	1/4" elbow
23	1226	CC - cap
24	628	OR 147
25	1223	CC - cylinder
26	629	OR 159
27	1290	IDWR - 25
28	-	Dowel
29	625	OR 133
30	1224	CC - cap
31	637	WRM 098129
32	1220	CC - rod
33	-	Screw
34	1270	Box for microswitch
35	929	M081/CT microswitch
36	-	Screw



Onderhouds- en gebruikershandleiding

FORWARD FEED VICE



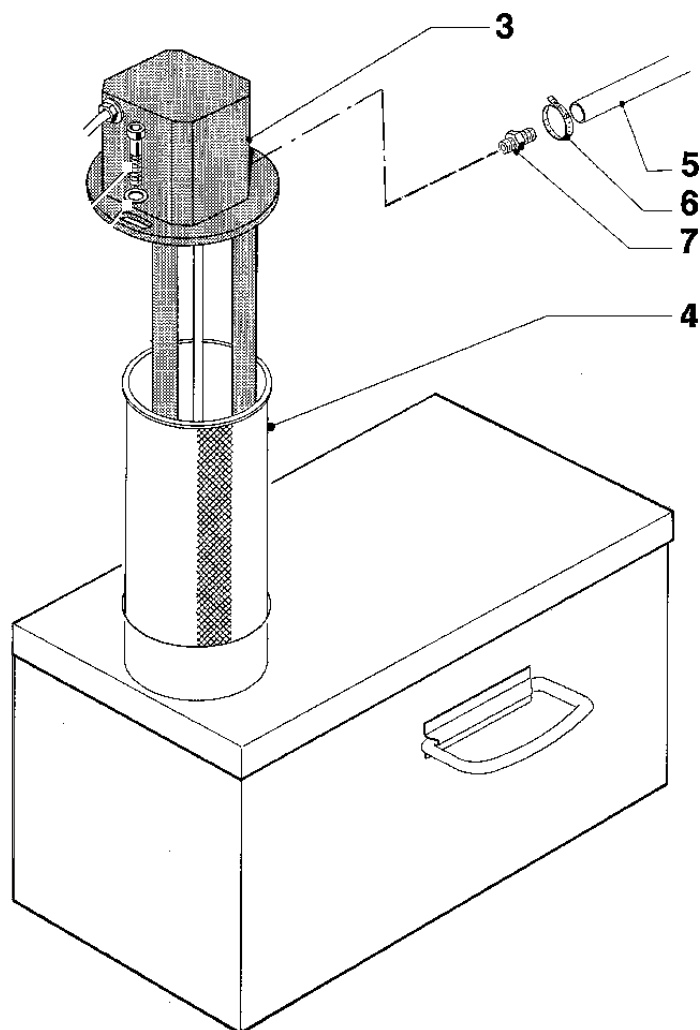
Pos.	CODE	Description
1	736	Recovery handle
4	1668	Sleeve bearing
5	1681	Slide vice sleeve
6	681	OR 140
7	1675	Vice cylinder
8	1312	1/4" nipple
9	1674	Vice piston head
10	628	OR 147
11	628	OR 147
12	1676	Cap for hyd. vice
13	-	Screw
14	1300	1/4" elbow
15	1463	R1 L. 840 pipe
20	1673	Bandsaw. vice rod
21	-	Screw
22	1200	WRM 137169

Pos.	CODE	Description
23	-	Screw
24	1690	Slide fixed vice
25	1678	Slide fixed plate
26	-	Dowel
27	1669	MA 10 tension bar
28	1671	T L. 105 block
29	1683	slide
30	1679	Mov. vice plate
31	-	Screw
32	1281	T L. 85 block
33	-	Screw
34	1263	Slide plate
36	-	Screw
37	765	Pin 8 x 30
38	1685	Slide/slider plate



Onderhouds- en gebruikershandleiding

KOELPOMP COOLANT PUMP



Pos.	CODE	Description
3	1298	Electric pump
4	1366	Filter
5	1337	Retex hose13/19
6	1064	Hose clamp Serflex
7	1087	Rubber-holder

