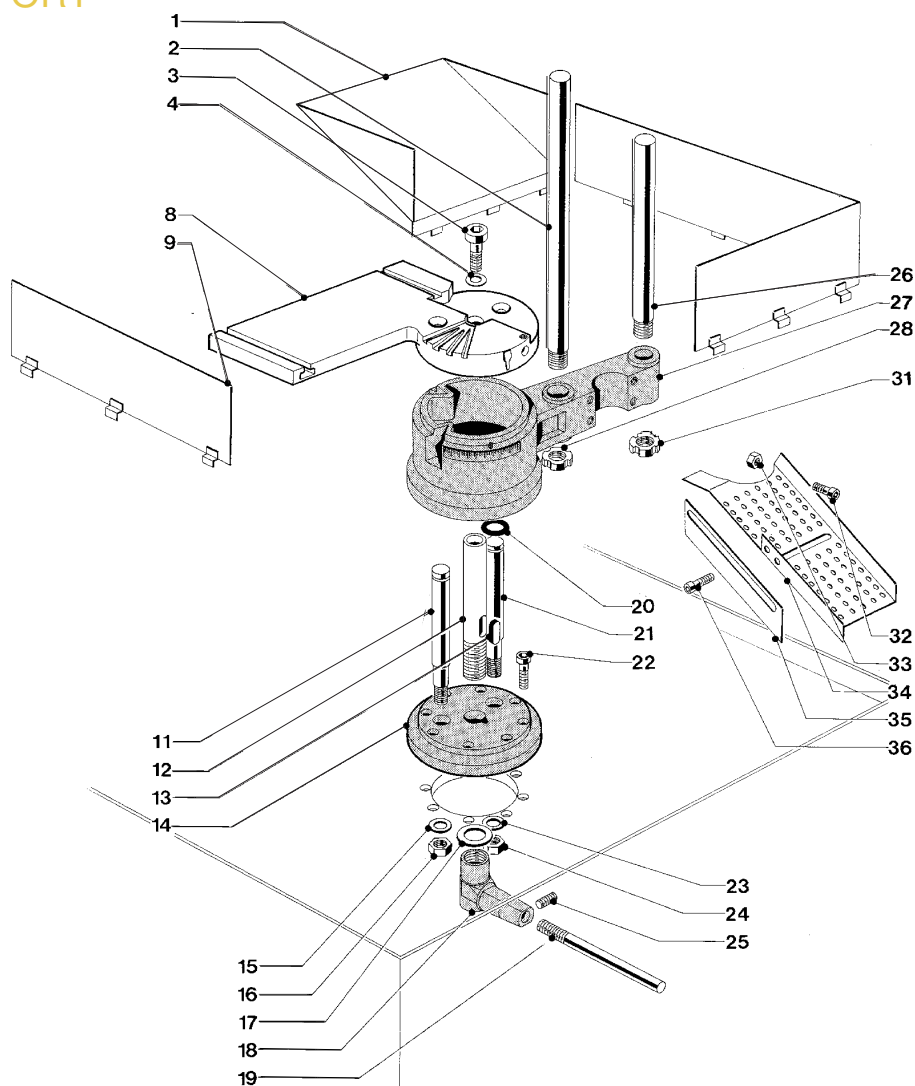


BIJLAGEN



Onderhouds- en gebruikershandleiding

BOW SUPPORT



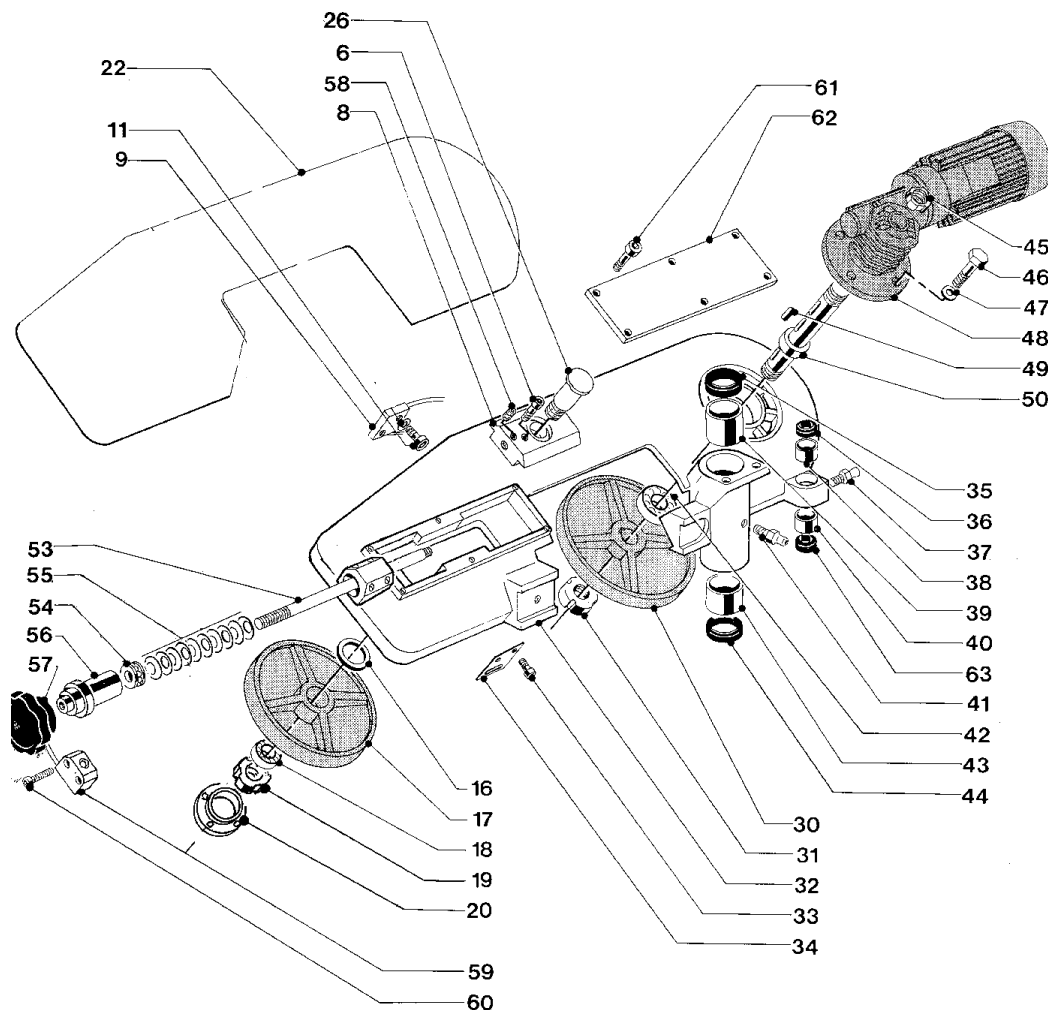
Pos.	CODE	Description
1	-	Protection guard
2	2409	CR 60 column
3	-	Screw diam. 30
4	-	Washer
8	2407	Vice base
9	-	Protection guard
11	2443	Adjusting pin
12	1023	TPN 28 pin
13	545	6x6x20 feather key
14	1998	Disk diam. 300
15	-	Washer
16	-	Nut
17	1299	Washer
18	1248	TPN 28 elbow
19	2007 -2448	Pipe for locking lever

Pos.	CODE	Description
21	2443	Adjusting pin
22	-	Screw
23	-	Washer
24	-	Nut
25	-	Dowel
26	2410	CR. 50 Column
27	2405	Rotating support
28	2317	Guk 50 ring nut
31	1194	Guk 35 ring nut
32	-	Screw
33	-	Nut
34	2402	Slide
35	-	Slide
36	-	Screw



Onderhouds- en gebruikershandleiding

BOW



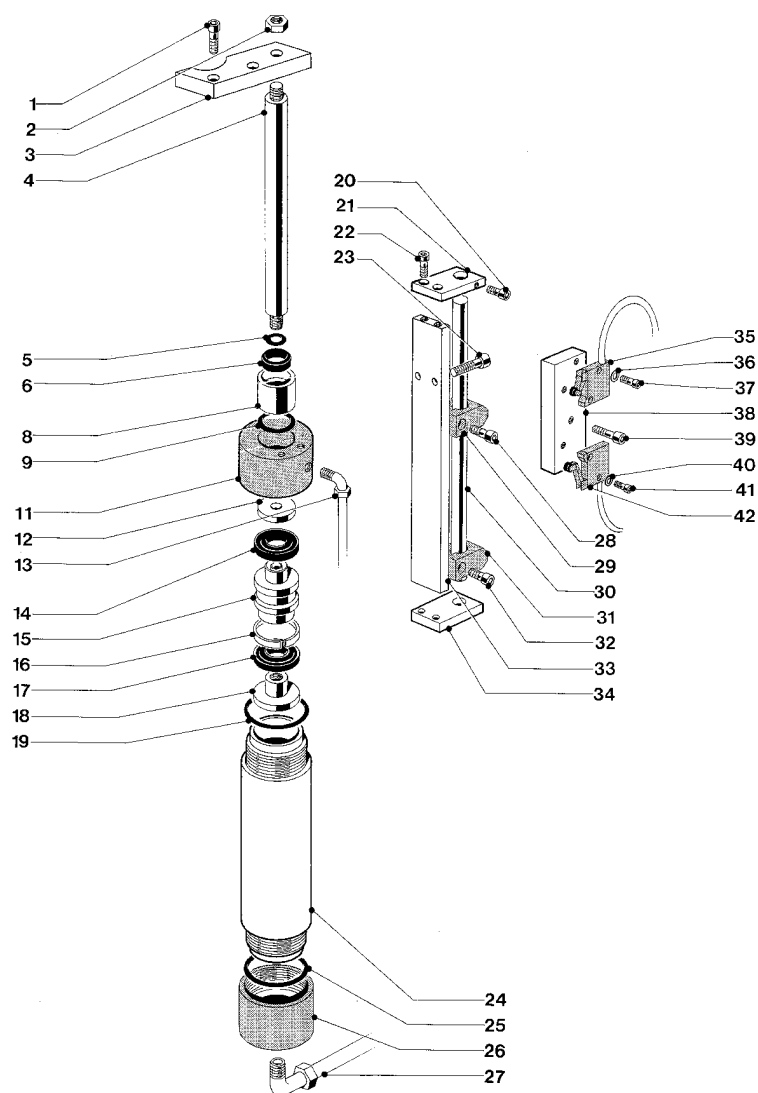
Pos.	CODE	Description
6	-	Screw
8	1036	Blade tension adjusting block
9	1075	RS2-10-10 microswitch
11	-	Screw
16	2019	Driven pulley washer
17	2041	Driven pulley
18	1604	3206 ball bearing
19	1068	Guk 30 ring nut
20	1609	Pulley cover
22	2403	Bow protection guard
26	2018	Driven pulley cover
30	2042	Motor pulley
31	1194	Guk 35 ring nut
32	2406	Bow
33	-	Screw
34	-	Strip
35	1406	WRM 236275/C
36	1202	WRM 196236
37	641	1/8 Lubricator
38	1186	Bronze bush
39	1481	Bronze bush
40	1186	Bronze bush

Pos.	CODE	Description
41	641	1/8 Lubricator
42	1058	6307 -zz ball bearing
43	1481	Bronze bush
44	1406	WRM 236245/C
45	1194	Guk 35 ring nut
46	-	Screw
47	-	Washer
48	D1528	Variator + motoreducer
49	1535	10 x 8 x 60 feather key
50	1662	Motor shaft x STM
53	2442	Pulley tensioning bar
54	1247	51202 ball bearing
55	1245	Springs
56	2048	Blade tension adjuster bush
57	1244	VL 140 handwheel
58	-	Dowel
59	2199	PZ FA-4101/P2 microswitch
60	-	Screw
62	2404	Pulley guard



Onderhouds- en gebruikershandleiding

BOW MOVEMENT



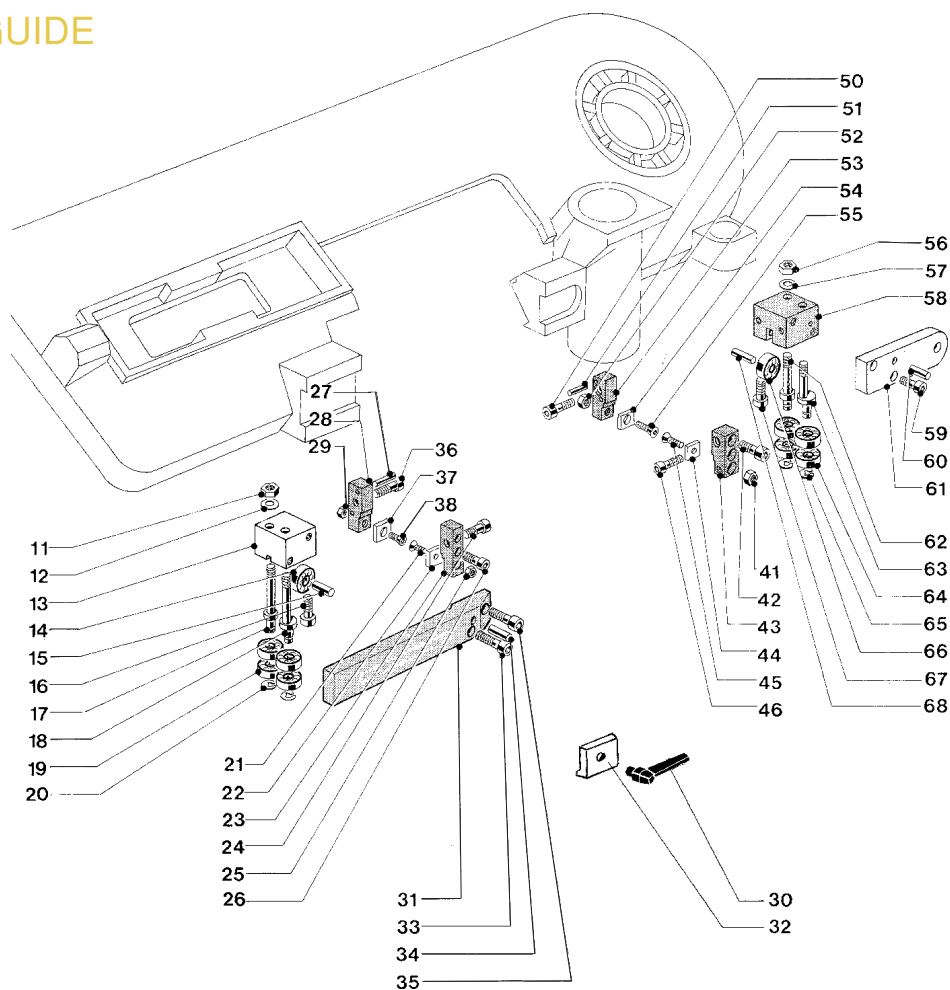
Pos.	CODE	Description
1	-	Screw
2	1297	18 MB -14 Nut
3	1495	Bow cylinder bracket
4	2412	CD - rod
5	620	OR 116
6	637	WRM 098129
8	1228	Bronze bush
9	625	OR 133
11	1229	CD - cap
12	1233	CD - washer
13	1300	1/4" elbow
14	614	DS 196137
15	1235	CD - head
16	1291	EDWR - 50
17	614	DS 196137
18	1231	CD - ring nut
19	690	OR 156
20	-	Screw
21	2320	DCM - cap
22	-	Screw

Pos.	CODE	Description
23	-	Screw
24	2411	CD - Cylinder
25	690	OR 156
26	1484	CD - cap elbow
27	1300	1/4" elbow
28	-	Screw
29	1170	Pointer
30	2319	DCM - rod
31	1170	Pointer
32	-	Screw
33	2310	DCM - plate
34	2321	DCM - bearing
35	2197	PZ-FA-4115-R2 microswitch
36	-	Washer
37	-	Screw
38	2413	CD - microswitch bearing
39	-	Screw
40	-	Washer
41	-	Screw
42	2197	PZ-FA-4115-R2 microswitch



Onderhouds- en gebruikershandleiding

BLADE GUIDE



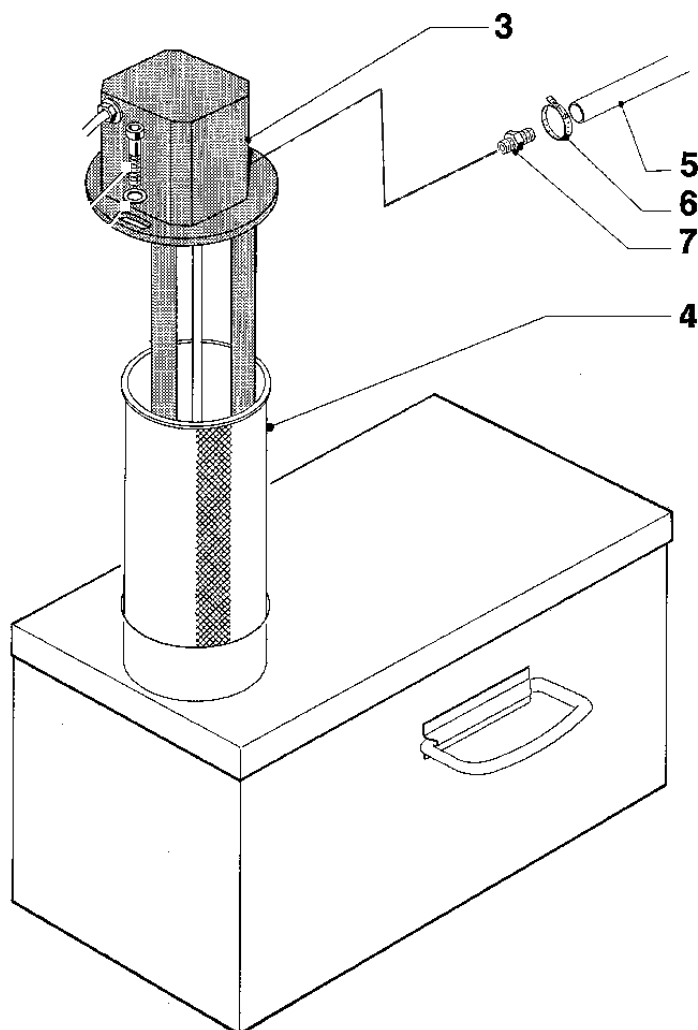
Pos.	CODE	Description
11	-	Nut
12	-	Washer
13	1007	Left block
14	1055	608 - 2RS ball bearing
15	764	8 x 40 pin
16	-	Screw
17	1082	Pin for right ball bearing
18	1083	Pin for eccentric ball bearing
19	1055	608 - 2RS ball bearing
20	1101	RS 6
21	-	Screw
22	1047	19 x 19 insert
23	1150	Insert bearing
24	-	Screw
25	-	Nut
26	-	Screw
27	1048	5 x 30 T. pin
28	1149	Insert bearing
29	-	Nut
30	736	Ricoverly handle
31	2011	Mov. bow guide
32	2426	Bow guide locking plate
33	-	Screw
34	1084	6 x 25 pin
35	-	Screw
36	-	Screw
37	1047	19 x 19 insert
38	-	Screw
41	-	Nut

Pos.	CODE	Description
42	-	Screw
43	1149	Insert bearing
44	1047	19 x 19 insert
45	-	Screw
46	-	Screw
50	-	Screw
51	1048	5 x 30 T. pin
52	-	Nut
53	1150	Insert bearing
54	1047	19 x 19 insert
55	-	Screw
56	-	Nut
57	-	Washer
58	1007	Right block
59	-	Screw
60	1084	6 x 25 pin
61	1128	Fixed bow guide
62	1082	Pin for right ball bearing
63	1083	Pin for eccentric ball bearing
64	1055	608 - 2RS bearing
65	1101	RS 6
66	1055	608 - 2RS ball bearing
67	-	Screw
68	764	8 x 40 Pin



Onderhouds- en gebruikershandleiding

COOLANT PUMP

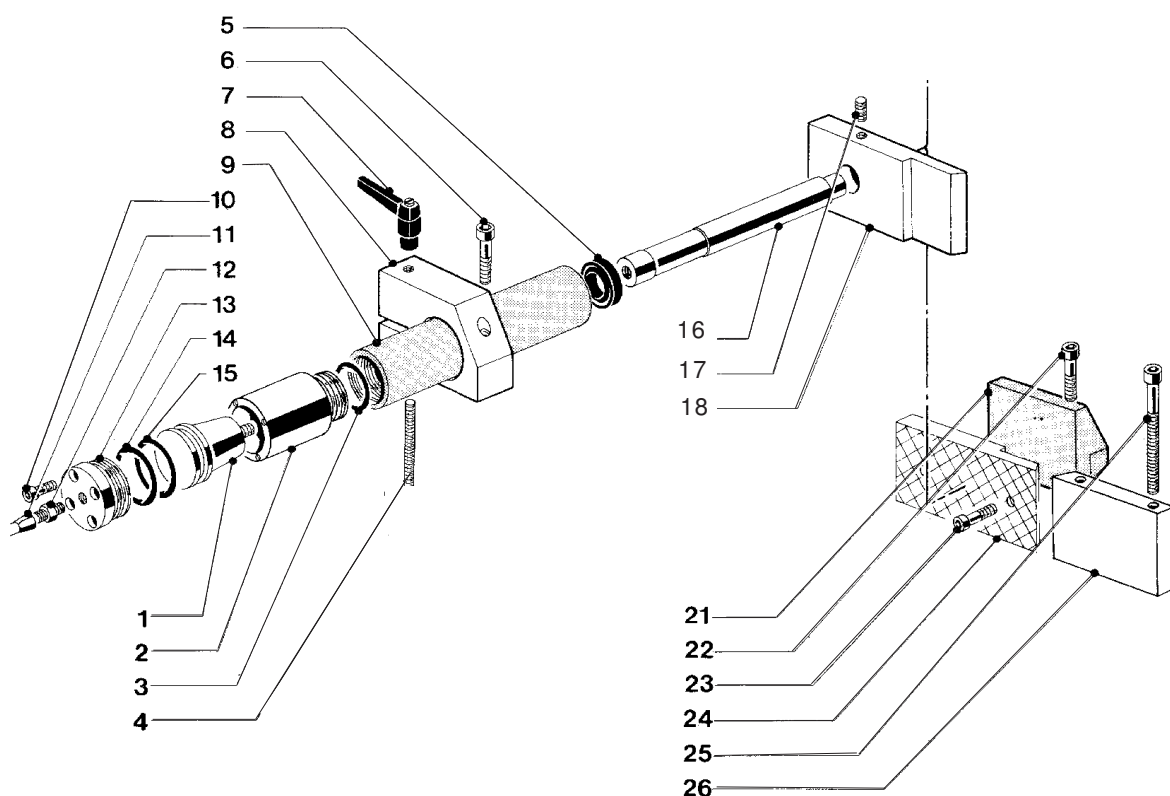


Pos.	CODE	Description
3	1298	Electric pump
4	1366	Filter
5	1337	Retex hose 13/19
6	1064	Hose clamp Serflex
7	2233	Rubber-holder



Onderhouds- en gebruikershandleiding

CLAMPING VICE (BANDSAWING MACHINE)



Pos.	CODE	Description
1	1674	Piston head
2	1675	Cylinder
3	681	OR 140
4	1669	Tensioning bar L. 138
5	1200	WRM 137169
6	-	Screw
7	2471	Recovery handle
8	1668	Sleeve bearing
9	2427	Vice sleeve
10	-	Screw
11	1462	R1 L. 500 pipe
12	1312	1/4" nipple

Pos.	CODE	Description
13	1676	Cap for hyd. vice
14	628	OR 147
15	628	OR 147
16	2439	Bandsawing vice rod
17	-	Dowel
18	2433	Mov. vice plate
21	2091	Fixed jaw
22	-	Screw
23	-	Screw
24	2432	Fixed jaw plate
25	-	Screw
26	2431	Gauge plate

