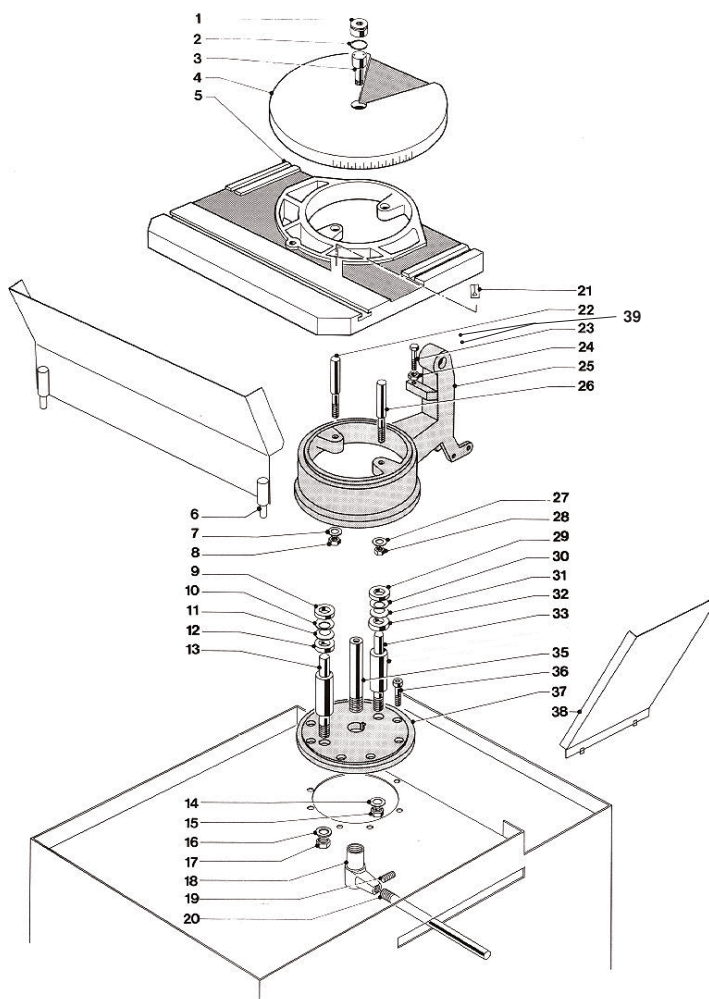


BIJLAGEN



Onderhouds- en gebruikershandleiding

BOW SUPPORT



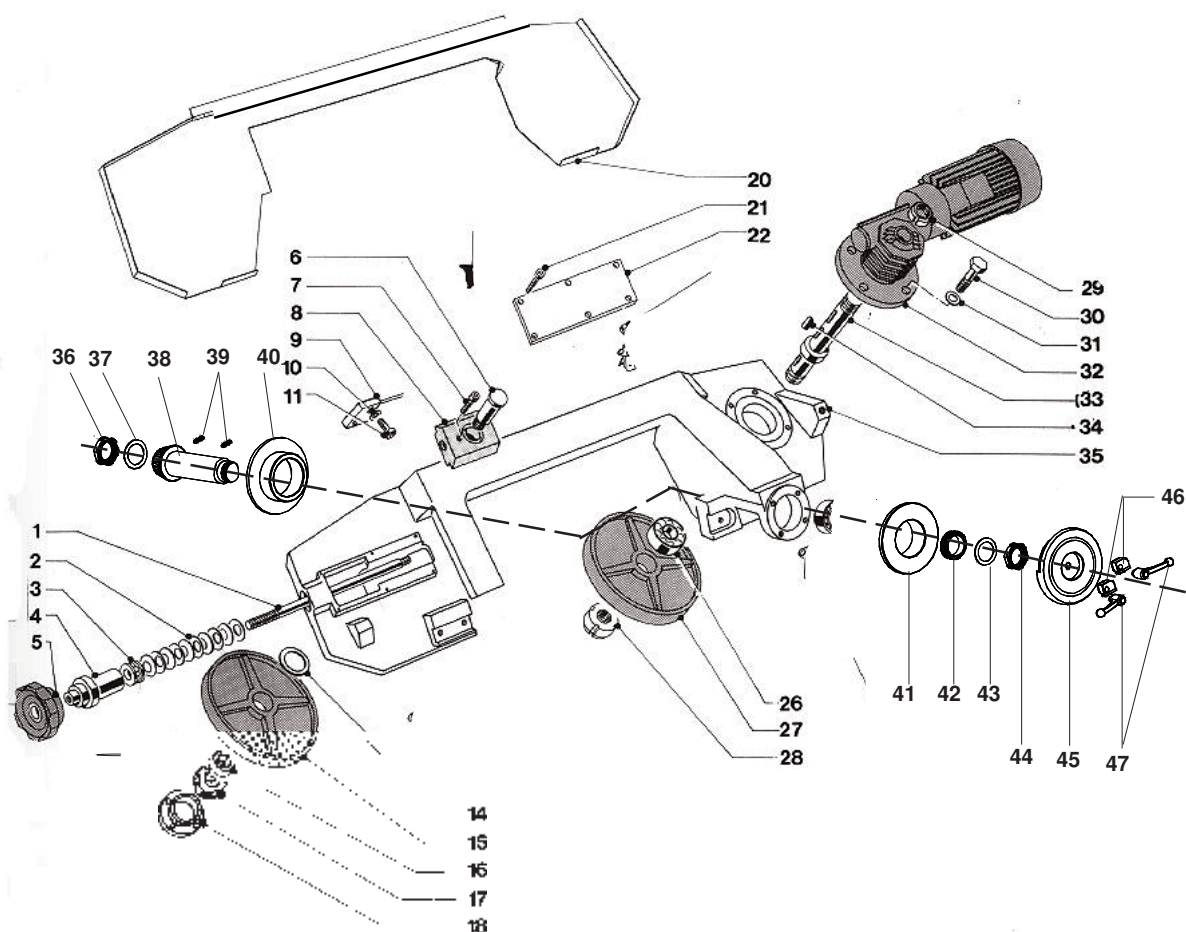
Pos.	CODE	Description
1	1567	SCREW CAP
2		OR RING 140
3	1566	CENTER SCREW
4	1560	SWIVELING DISC
5	1559	PLATEAU
6	-	PROTECTION GUARD
7	-	WASHER
8	-	NUT
9	1561	WASHER Ø 55
10	1562	BELLEVILLE WASHER Ø 55
11	1562	BELLEVILLE WASHER Ø 55
12	1561	WASHER Ø 55
13	1558	PIVOT PIN Ø 40
14	-	WASHER
15	-	NUT
16	-	WASHER
17	-	NUT
18	1552	LOCKING ELBOW
19	-	GRUB SCREW

Pos.	CODE	Description
20	2032 - 2007	LOCKING LEVER
21	2031	INDEX
22	1555	PIVOT PIN Ø 25
23	-	SCREW
24	-	NUT
25	1523-1524	BOW SUPPORT
26	1555	PIVOT PIN Ø25
27	-	WASHER
28	-	NJT
29	1561	WASHER Ø55
30	1562	BELLEVILLE WASHER Ø 55
31	1562	BELLEVILLE WASHER Ø 50
32	1561	WASHER Ø 55
33	1558	PIVOT PIN Ø 40
35	1554	LOCKING PIN TPN32
36	-	SCREW
37	1556	BASE DISC
38	-	PROTECTION GUARD
39	1070	MA 8x 25 GRUB SCREW



Onderhouds- en gebruikershandleiding

BLADE SUPPORTING BOW



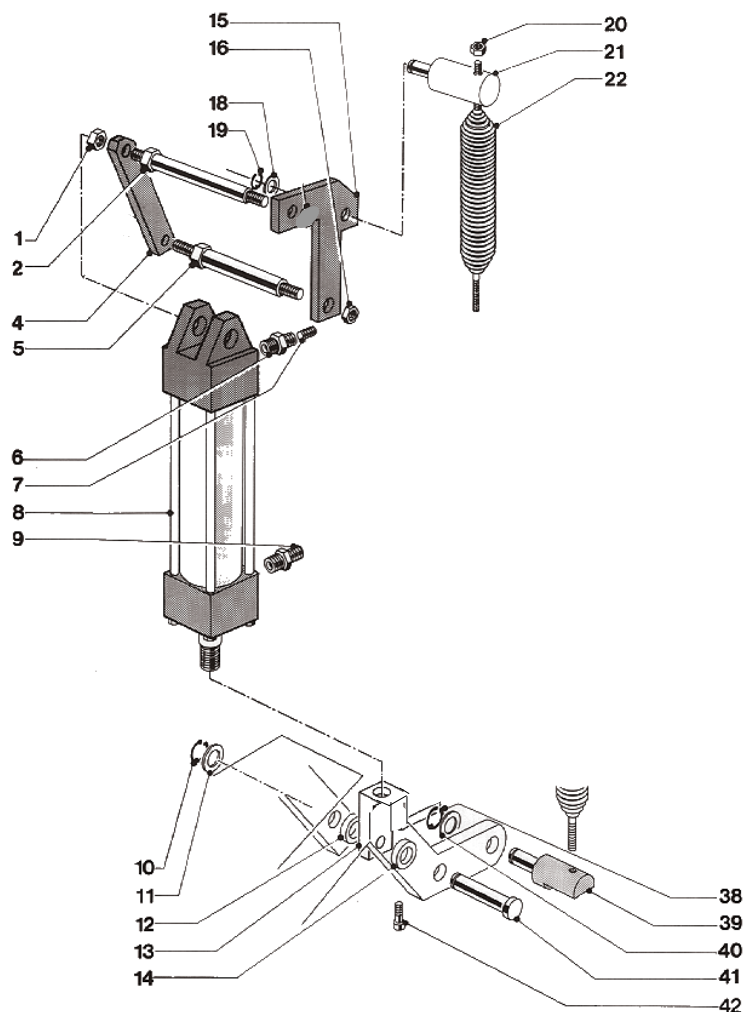
Pos.	CODE	Description
1	2442	PULLEY ROD
2	1245	BELLEVILLE WASHER Ø 28
3	1247	51202 BEARING
4	2048	BLADE TENSIONER BUSHING
5	1244	VL140 HANDWHEEL
6	1588	COND. PULLEY PIN
7	-	SCREW
8	1036	BLADE TENSIONER ANCHOR
9	1075	BOW GUARD MICRO
10	-	WASHER
11	-	SCREW
14	1589	WASHER
15	2041	CONDUCTED PULLEY
16	1604	BEARING 3206
17	1068	GUK 30 RING
18	1609	CONDUCTED PULLEY CAP
20	2181	BOW GUARD
21	-	SCREW
22	1592	CONDUCTED PULLEY GUARD
26	1058	6307_ZZ BEARING
27	2042	MOTOR PULLEY

Pos.	CODE	Description
28	1194	GUK 35 RING
29	1194	GUK 35 RING
30	-	SCREW
31	-	WASHER
32	1310 + 1393	GEARED MOTOR
33	1548	DRIVING SHAFT
34	1054	7X8X30 KEY
35	2180	BOW
36	1299	GUK 25 RING
37	1705	SPA. Ø 46.5 WASHER
38	1707	SPA SHAFT
39	1070	MA 8 x 25 GRUB SCREW
40	1704	SPA Ø 80 FLANGE
41	1704	SPA Ø 80 FLANGE
42	1706	32005 Pz. 2 BEARING
43	1705	SPA Ø46.5 WASHER
44	1299	GUK 25 RING
45	1703	SPA Ø 90 CAP
46	2532	MICRO ANCHOR
47	2530	MA6 PRESS HANDLE



Onderhouds- en gebruikershandleiding

BOW MOVEMENT



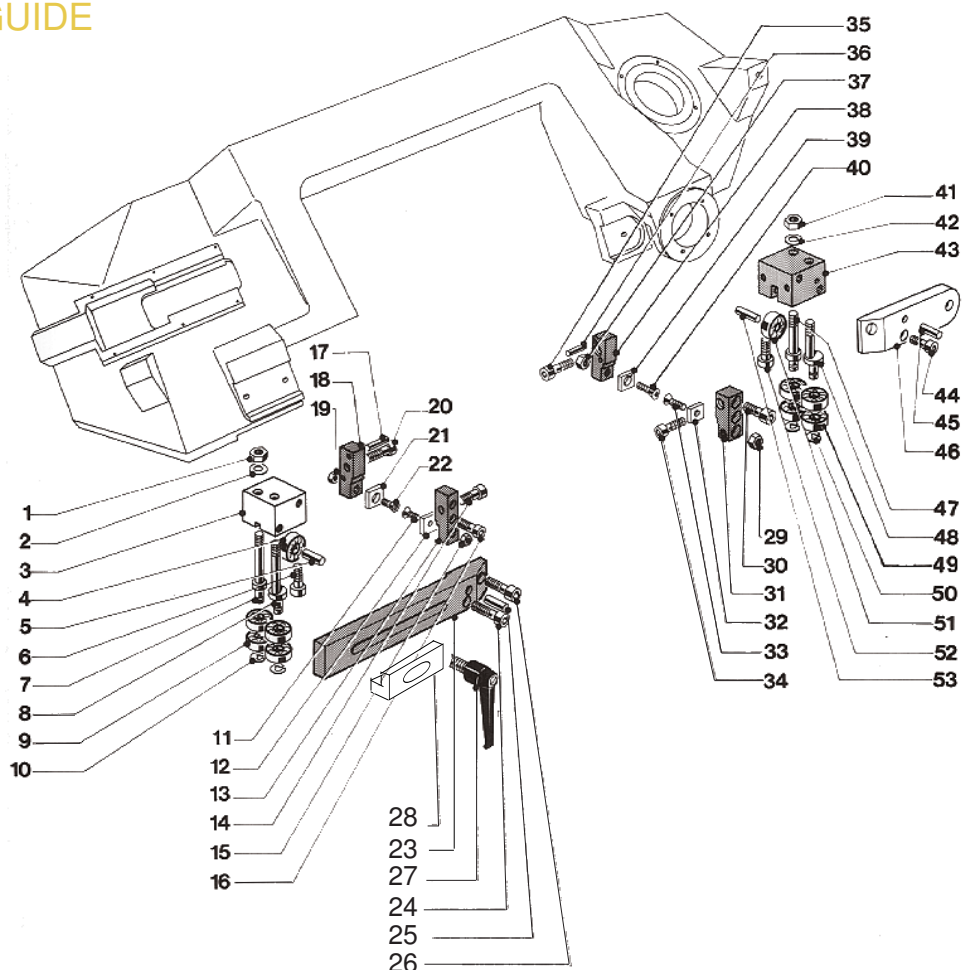
Pos.	CODE	Description
1	-	NUT
2	1646	PIN ES
4	1596	CD 30 X 12 BRACKET
5	1599	CD PIN
6	1312	NIPPLES 1/4"
7	-	GRUB SCREW
8	2177	CD CYLINDER
9	1312	NIPPLES 1/4"
10	1102	SEEGER RS 12
11	-	WASHER
12	-	DIST WASHER
13	1710	SPA HINGE
14	-	DIST WASHER

Pos.	CODE	Description
15	1597	CD SHAPED BRACKET
16	-	NUT
18	-	WASHER
19	1102	SEEGER RS12
20	-	NUT
21	1601	SPRING PIN
22	2186	BOW SPRING
38	1102	SEEGER RS 12
39	1602	FR SPRING PIN
40	-	WAHSER
41	1595	CD Ø 14 PIN
42	-	SCREW



Onderhouds- en gebruikershandleiding

BOW GUIDE



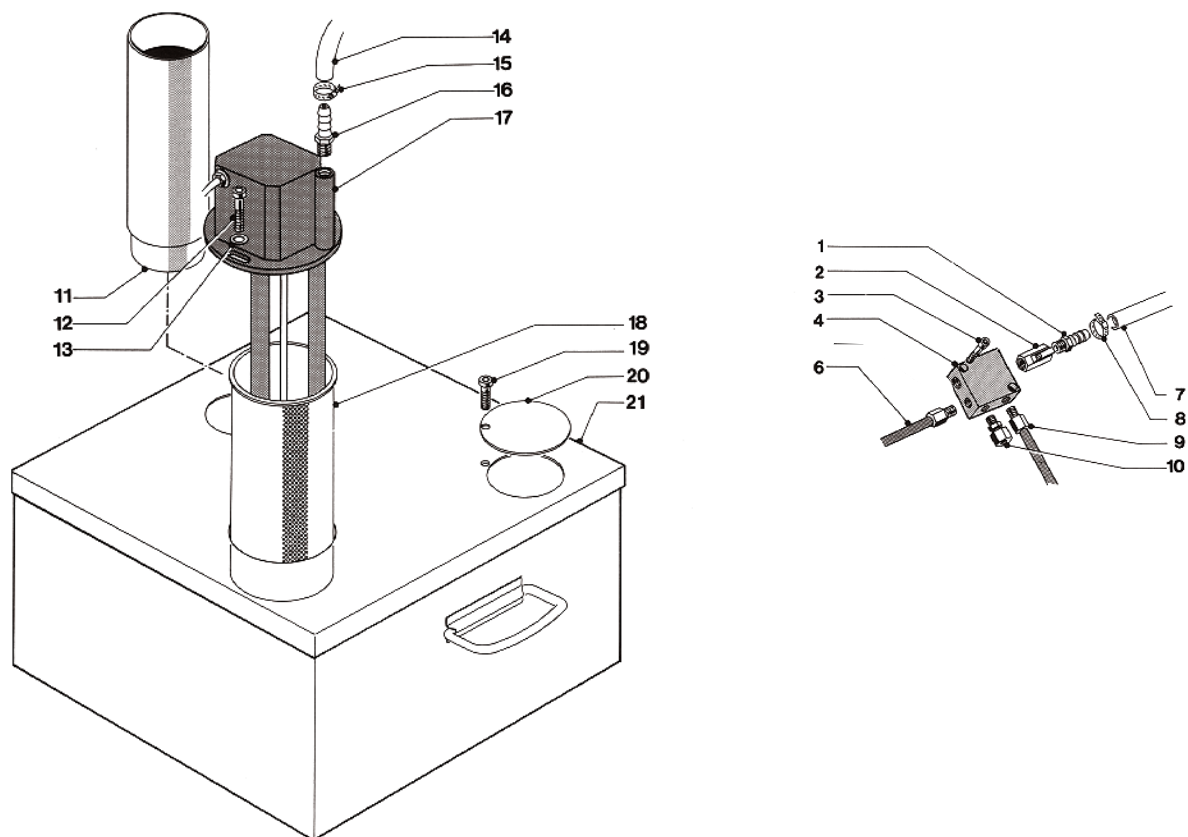
Pos.	CODE	Description
1	-	NUT
2	-	WASHER
3	1007	LEFT SLIP GAUGE
4	1055	BEARING 608-2 RS
5	764	8 X 40 PIN
6	-	SCREW
7	1082	STRAIGHT BEARING PIN
8	1083	EXCENTRIC BEARING PIN
9	1055	608-2 RS BEARINGS
10	1101	RS 6
11	-	SCREW
12	1047	19 X 19 INSERT
13	1150	INSERT SUPPORT
14	-	SCREW
15	-	NUT
16	-	SCREW
17	1048	5 X 30 T. PLUG
18	1149	INSERT SUPPORT
19	-	NUT
20	-	SCREW
21	1047	19 X 19 INSERT
22	-	SCREW
23	2011	MOBILE BLADEGUARD
24	-	SCREW
25	1084	PIN 6 X 25
26	-	SCREW

Pos.	CODE	Description
27	736	RECOVERY HANDLE
28	2012	BLADEGUIDE LOCKING PLATE
29	-	NUT
30	-	SCREW
31	1149	INSERT SUPPORT
32	1047	INSERT 19 X 19
33	-	SCREW
34	-	SCREW
35	-	SCREW
36	1048	5 X 30 T. PLUG
37	-	NUT
38	1150	INSERT SUPPORT
39	1047	19 X 19 INSERT
40	-	SCREW
41	-	NUT
42	-	WASHER
43	1006	RIGHT SLIP GAUGE
44	-	SCREW
45	1084	PIN 6 X 25
46	1128	FIXED BLADEGUIDE
47	1082	STRAIGHT BEARING PIN
48	1083	EXCENTRIC BEARING PIN
49	1055	BEARINGS 608 - 2 RS
50	1101	RS6
51	1055	608 - 2 RS BEARINGS
52	-	SCREW
53	764	8 X 40 PIN



Onderhouds- en gebruikershandleiding

COOLANT PUMP

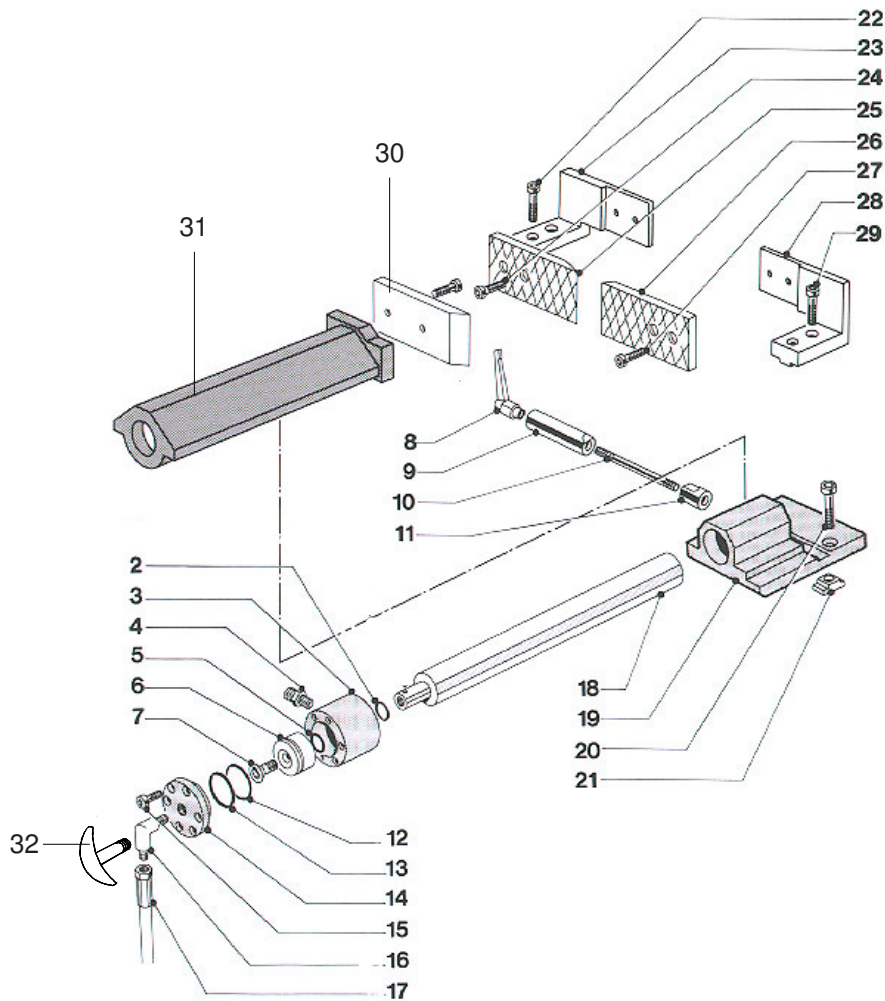


Pos.	CODE	Description
1	2223	RUBBER-HOLDER
2	1421	MINI TAP
3	-	SCREW
4	1603	COOLANT DISTRIBUTOR
6	1458	FLOW REGULATOR 1/4
7	1337	RETEX HOSE 13/19
8	1064	HOSE CLAMP SERFLEX
9	1458	1/4" FLOW REGULATOR
10	1314	RED 8/8 NIPPLE
11	1465	SLIDING PIPE
12	-	SCREW
13	-	WASHER
14	1337	RETEX HOSE 13/19
15	1064	HOSE CLAMP SERFLEX
16	-	RUBBER-HOLDER
17	1369	ELECTRIC PUMP
18	1367	FILTER Ø76
19	-	SCREW
20	-	INSPECTION DISC
21	1471	COOLANT TANK



Onderhouds- en gebruikershandleiding

PIECE LOCKING VICE



Pos.	CODE	Description
2	673	OR RING 4118 (OR RING 137)
3	1633	CILINDER GH
4	1312	NIPPLE 1/4
5	673	OR RING 4118 (OR RING 137)
6	1631	PISTON HEAD
7	-	TSCE SCREW
8	1579	MA 12 RECOVERY HANDLE
9	1576	2 HALVED PIN
10	1578	MA 12 ROD
11	1576	2 HALVED PIN
12	690	OR RING 156
13	690	OR RING 156
14	1632	CAP
15	-	SCREW
16	1360	1/4" NIPPLE

Pos.	CODE	Description
17	1463	R1 1/4 L.840 PIPE
18	1647	CR.50 VICEGUIDE
19	1573	MOB. VICE SUPPORT
20	-	SCREW
21	1575	ANCHOR
22	-	SCREW
23	1569	LEFT CLAMP
24	-	SCREW
25	2184	LEFT VICE PLATE
26	2184	RIGHT VICE PLATE
27	-	SCREW
28	1568	RIGHT CLMP
29	-	SCREW
30	2184	MOB. VICE PLATE
31	1572	MOBILE VICE
32	1691	HANDLE

